

Halcyon AMH80

pass through
DISHWASHER

halcyon®

Halcyon AMH80 Features

- **1 year warranty**
- Three button bright LED display with soft touch controls and alarms menu
- Dosing set up by fascia controls
- Accurate detergent and rinse aid peristaltic dosing pumps
- Dosing set up by fascia controls
- Easy clean parallel wash and rinse arm assembly
- Optional surface scrap tray filters



Supplied with one pegged (capable of holding 18 10" plates), one open rack (capable of holding 25 pint glasses) and cutlery insert.

Additional racks can be purchased at point of order: **Z972001** & **Z972003**



Drain pump version
available: **AMH80 D**

For additional information contact our Sales Team on

T: **0345 130 8070** E: **sales@maidaid-halcyon.co.uk** or visit **www.maidaid.co.uk**

Halcyon AMH80

pass through DISHWASHER



Technical Data

| | | |
|--------------------------|---------|----------------------------|
| Dimensions (W x D x H) | mm | 640 x 745 x 1335 + Feet |
| Feet height | mm | 165-225 |
| Rack size | mm | 500 x 500 |
| Maximum useable height | mm | 435 |
| Door opening | mm | 460 |
| Theoretical productivity | Racks/h | 40 |
| Effective productivity | Racks/h | 30* |

*Allowing 30 seconds for reloading
Cycle times may vary depending on local conditions/services

| | | |
|-------------------|----|------|
| Wash tank element | kW | 2.1 |
| Boiler element | kW | 6.0 |
| Wash pump | kW | 0.47 |
| Tank capacity | L | 15 |
| Noise emission | dB | ≤ 65 |

Packaging Specs

| | | |
|------------------|----------------|------------------|
| Gross weight | Kg | 95 |
| Cubic volume | m ³ | 0.98 |
| Dim. (W x D x H) | mm | 760 x 840 x 1520 |

Power Supply

| | | |
|-------------------------|------------------|-----|
| Installed power | AMP | kW |
| 230V – 50Hz – 1N | 20 | 4.5 |
| | 30* | 6.5 |
| Optional 3 Phase config | Total load 6.5kW | |
| Fused | 16 amp | |

*Standard configuration

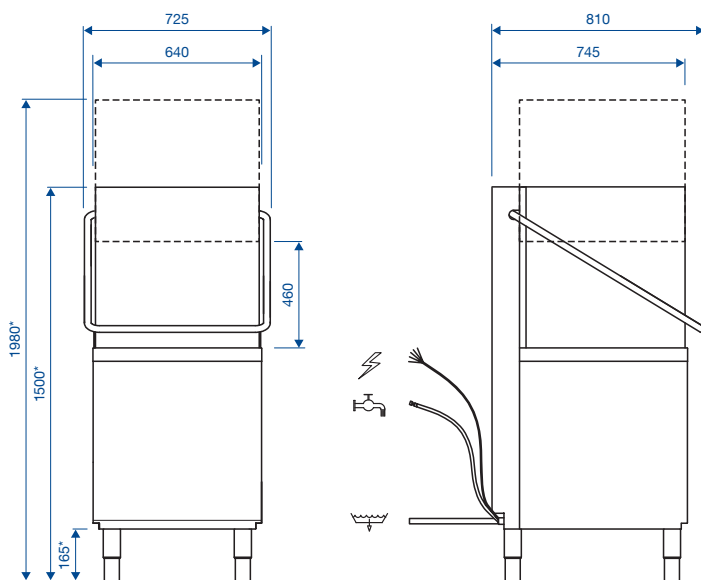
Water Connection

| | | |
|----------------------|-------|---------------|
| Inlet water pressure | Bar | 2 to 4 |
| Flow rate L/Min | L/Min | 6 |
| Water inlet temp | °C | 10 to 50 |
| Water connection | BSP | ¾" |
| Waste connection | Ø | Int 29/ext 34 |

Cycle Information

| | | |
|-----------------------------|---------------|-----------------|
| Number of standard cycles | 2 | |
| Standard cycles times | Sec | 90/180 |
| Special cycle | Long | |
| Self-cleaning cycle | Partial clean | |
| Water consumption per cycle | L | 2.5 |
| Wash temperature | °C | 60 – adjustable |
| Rinse temperature | °C | 82 – adjustable |

Installation Diagram – All services must be within 1 meter



*Height-adjustable feet + 60mm



Power



**Water supply
2 – 4 bar**



Gravity drain

For additional information contact our Sales Team on

T: **0345 130 8070** E: **sales@maidaid-halcyon.co.uk** or visit **www.maidaid.co.uk**