

## CS9

### 900mm Gas Salamander



CS9

- 900mm wide
- Dual high performance infrared burners
- Removable easy-clean bottom tray
- Independently controlled sides
- Flame failure protection on each burner
- Wall mounting bracket supplied
- Stainless steel finish
- Optional: Branding plate

#### OVERALL CONSTRUCTION

- Stainless steel exterior
- Vitreous enamelled control panel
- Aluminised steel interior
- Stainless steel crumb tray
- Chrome plated rack and rack supports
- Two individually controlled infra-red burners

#### CONTROLS

- Large easy use control knobs
- Dual controls with variable high to low burner setting
- Flame failure on each burner

#### CLEANING AND SERVICING

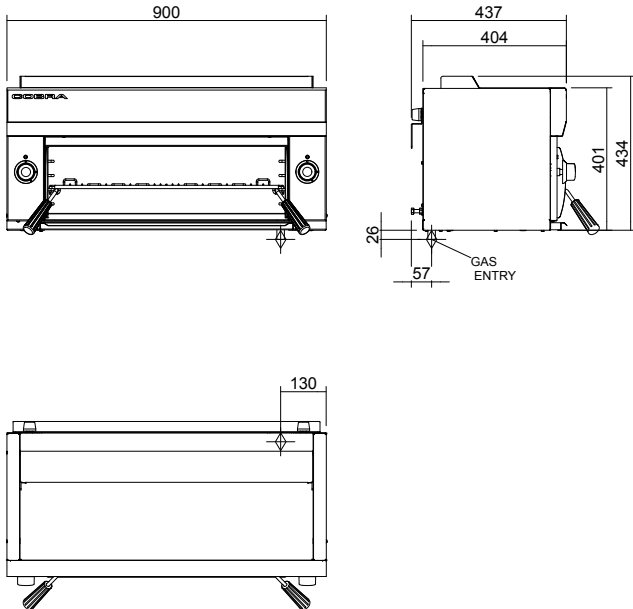
- Removable grill rack system, rack supports and crumb tray
- Easy clean stainless steel exterior
- Access to all parts from front of unit

#### Matching Products



## CS9

### 900mm Gas Salamander



CS9

#### SPECIFICATIONS

|  |  |
|--|--|
| <b>Burners</b><br>2 x 4.4kW  | <b>Dimensions</b><br>Width 900mm<br>Height 434mm<br>Depth 404mm<br>(437 with wall mounting bracket)                      |
| <b>Gas power</b><br>Natural gas<br>8.8kW (nett), 33,350 Btu/hr (gross)<br>Propane gas<br>8.8kW (nett), 32,650 Btu/hr (gross) | <b>Nett weight</b><br>42kg   |
| <b>Gas flow rate</b><br>Natural gas 0.84m <sup>3</sup> /hr<br>Propane gas 0.63kg/hr  | <b>Packing data</b><br>0.32m <sup>3</sup> , 69kg<br>Width 940mm<br>Depth 520mm<br>Height 640mm                           |
| <b>Cooking area</b><br>Rack size:<br>610mm x 310mm 1890cm <sup>2</sup>   | <b>Gas types</b><br>Available in Natural gas and Propane gas, please specify when ordering<br>Other gas types on request |
| <b>Gas connection</b><br>R $\frac{1}{2}$ " (BSP) female<br>130mm from right side,<br>25mm from rear                          | <b>Options at extra cost</b><br>Branding Plate   |

[blue-seal.co.uk](http://blue-seal.co.uk)

United Kingdom  
[blue-seal.co.uk](http://blue-seal.co.uk)

Blue Seal Limited  
Unit 67  
Gravelly Business Park  
Gravelly  
Birmingham B24 8TQ  
England  
Telephone 0121-327 5575  
Facsimile 0121-327 9711  
[sales@blue-seal.co.uk](mailto:sales@blue-seal.co.uk)

Australia  
[moffat.com.au](http://moffat.com.au)

Moffat Pty Limited  
740 Springvale Road  
Mulgrave, Victoria 3170  
Australia  
Telephone +613-9518 3888  
Facsimile +613-9518 3833  
[vsales@moffat.com.au](mailto:vsales@moffat.com.au)

New Zealand  
[moffat.co.nz](http://moffat.co.nz)

Moffat Limited  
Rolleston  
45 Illinois Drive  
Izone Business Hub  
Rolleston 7675  
Telephone +64 3-983 6600  
Facsimile +64 3-983 6660  
[sales@moffat.co.nz](mailto:sales@moffat.co.nz)



ISO9001  
Quality  
Management  
Standard

Designed and manufactured by



ISO9001

All Cobra products are designed and manufactured by Moffat using the internationally recognised ISO9001 quality management system, covering design, manufacture and final inspection, ensuring consistent high quality at all times.

In line with policy to continually develop and improve its products, Moffat Limited reserves the right to change specifications and design without notice.



© Copyright Moffat Ltd  
UK.C.01.19 / 1622

an Ali Group Company



The Spirit of Excellence