

# Combi steamer

Project \_\_\_\_\_  
 Item \_\_\_\_\_  
 Quantity \_\_\_\_\_  
 FCSI section \_\_\_\_\_  
 Approval \_\_\_\_\_  
 Date \_\_\_\_\_

C4eT 10.10 EB DD

## Model

Convotherm 4 easyTouch

- easyTouch
- 10+1 Shelves GN 1/1
- Electric
- Boiler
- Disappearing door



## Key Features

- ACS+ operating modes: Steam, Combi-steam, Convection
- ACS+ Extra Functions:
  - Crisp&Tasty - 5 moisture-removal settings
  - BakePro - 5 levels of traditional baking
  - HumidityPro - 5 humidity settings
  - Controllable fan - 5 speed settings
- easyTouch 9" full-touch screen
- ConvoClean+ fully automatic cleaning system with eco, regular and express modes, including optional single-measure dispensing
- Ethernet interface (LAN)
- HygienicCare
- USB port integrated in the control panel
- TriColor indicator ring - indicates the current operating status
- Steam generated by high-performance boiler outside the cooking chamber
- Disappearing door: more space and greater safety at work (optionally available for an extra charge)

## Standard Features

- ACS+ (Advanced Closed System +) operating modes:
  - Steam (30-130°C) with guaranteed steam saturation
  - Combi-steam (30-250°C) with automatic humidity adjustment
  - Convection (30-250°C) with optimized heat transfer
- HygienicCare - food safety thanks to antibacterial surfaces:
  - easyTouch control panel
  - Door handle and recoil hand shower
- easyTouch user interface:
  - 9" full-touch screen
  - Press&Go - automatic cooking using quick-select buttons
  - TrayTimer - load management for different products at the same time
  - Regenerate+ - flexible multi-mode regenerating function
  - ecoCooking - energy-save function
  - Low-temperature cooking / Delta-T cooking
  - Cook&Hold - cooks and holds in one process
  - 399 cooking profiles each containing up to 20 steps
  - On-screen help with topic-based video function
  - Starting time preselect
- Multi-point core temperature sensor
- Door handle with safety latch and sure-shut function
- RS232 and RS485 interface
- Data storage for HACCP and pasteurization figures
- Preheat and cool down function

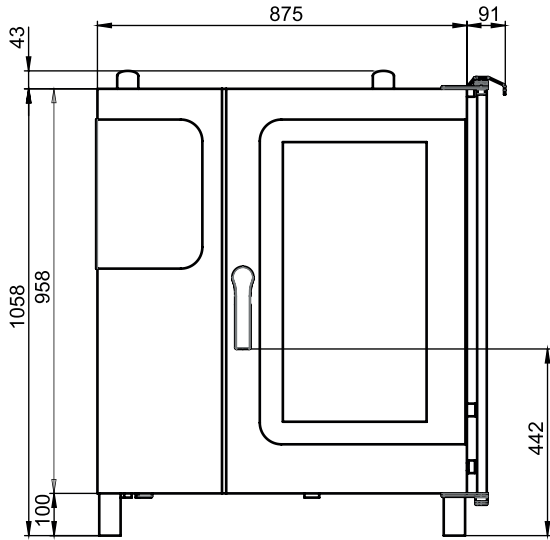
## Options

- Steam and vapour removal - built-in condensation
- Grill model with grease management
- ConvoSmoker - built-in food-smoking function
- Marine version (see separate datasheet)
- Available in various voltages
- Sous-vide sensor, with external socket
- Core temperature sensor, with external socket

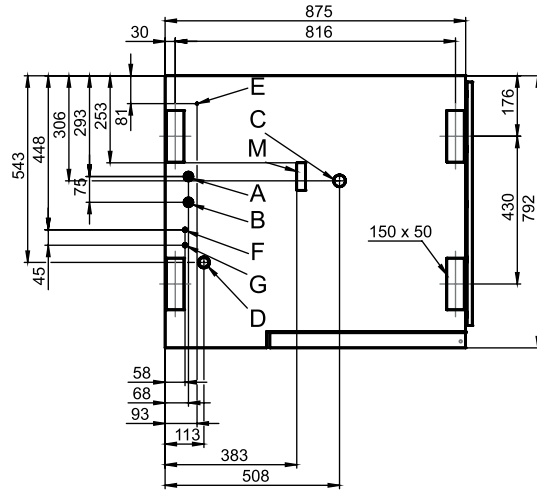
## Accessories

- ConvoLink HACCP and cooking-profile management PC software
- ConvoVent 4 condensation hood with built-in grease filter
- ConvoVent 4+ condensation hood with built-in grease and odour filter
- Signal tower - operating-state indicator visible from distance
- Banquet system (optionally as a package or individually): Plate rack, shelf rack, transport trolley, thermal cover
- Stands in various sizes and designs
- Racks, choice of GN or BM versions (BM = standard baking sheet size)
- Stacking kits
- Care products for the ConvoClean+ fully automatic cleaning system and the semi-automatic cleaning system

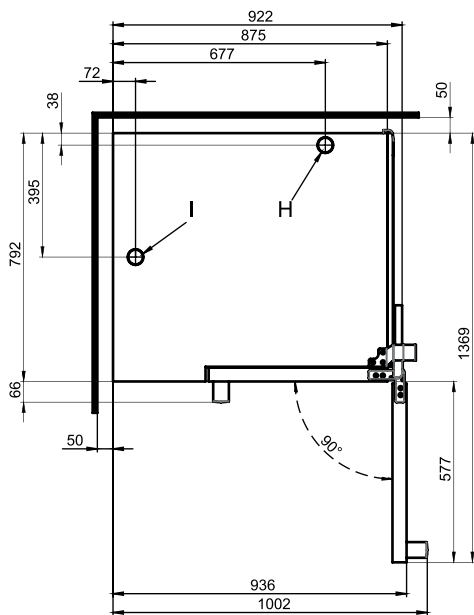
**Front view**



**Connection positions**



**View from above with wall clearances**



- A** Water connection (for boiler)
- B** Water connection (for cleaning, recoil hand shower)
- C** Drain connection DN 50
- D** Electrical connection
- E** Equipotential bonding
- F** Rinse-aid connection
- G** Cleaning-agent connection
- H** Air vent Ø 50 mm
- I** Ventilation port Ø 50 mm
- M** Safety overflow 80 mm x 25 mm

**Dimensions and weights**

**Dimensions including packaging**

Width x Height x Depth 1110 x 1280 x 940 mm

**Weight**

Empty weight without options\* / accessories 151 kg  
 Weight of packaging 30 kg

**Safety clearances\*\***

Rear 50 mm  
 Right-hand side (disappearing door pushed back) 130 mm  
 Left (larger gap recommended for servicing) 50 mm  
 Top\*\*\* 500 mm

\*Weight of options 15 kg max.

\*\*Minimum distance from heat sources: 500 mm.

\*\*\*Depends on type of air ventilation system and nature of ceiling.

**Installation instructions**

**Tilt**

Absolute tilt of unit in operation\* 2° (3.4%)

\*Adjustable feet included as standard.

### Loading capacity

#### Max. number of food containers

GN 1/1*	10+1
600 x 400** baking tray	8
Plates max. Ø 32 cm, Ring spacing 66 mm**	32
Plates max. Ø 32 cm, Ring spacing 79 mm**	26

#### Maximum loading weight

GN 1/1 / 600 x 400	
Per combi steamer	50 kg
Per shelf	15 kg

\*Matching rack included as standard.

\*\*Matching rack available as an accessory.

### Electrical supply

#### 3N~ 400V 50/60Hz\*

Rated power consumption	19.5 kW
Rated current	28.1 A
Fuse	35 A
RCD (GFCI), frequency converter (single phase)	Type A (recommended), type B/F (optional)
Recommended conductor cross-section	5G6

#### 3~ 230V 50/60Hz\*

Rated power consumption	19.3 kW
Rated current	48.5 A
Fuse	50 A
RCD (GFCI), frequency converter (single phase)	Type A (recommended), type B/F (optional)
Recommended conductor cross-section	4G16

#### 3~ 200V 50/60Hz\*

Rated power consumption	19.3 kW
Rated current	55.8 A
Fuse	63 A
RCD (GFCI), frequency converter (single phase)	Type A (recommended), type B/F (optional)
Recommended conductor cross-section	4G16

#### 3~ 400V 50/60Hz\*

Rated power consumption	19.5 kW
Rated current	28.1 A
Fuse	35 A
RCD (GFCI), three-phase frequency converter	Type B/F (recommended)
Recommended conductor cross-section	5G6

\*Connection to energy optimization system included as standard.

PLEASE NOTE: If the ConvoSmoker option is chosen, the only voltages available are 3~ 230V 50/60Hz and 3N~ 400V 50/60Hz.

### Water connection

#### Water supply

Water supply	2 x G 3/4" permanent connection, optionally including connecting pipe (min. DN13 / 1/2")
Flow pressure	150 - 600 kPa (1.5 - 6 bar)

#### Appliance drain

Drain version	Permanent connection (recommended) or funnel waste trap
Type	DN50 (min. internal Ø: 46 mm)
Slope for waste-water pipe	min. 3,5% (2°)

### Water quality

#### Water-supply connection A\* for boiler, Water-supply connection B\* for cleaning, recoil hand shower

General requirements	Drinking water, typically hard water
Total hardness	4 - 20 °dh / 70 - 360 ppm / 7 - 35 °TH / 5 - 25 °e
pH value	6.5 - 8.5
Cl <sup>-</sup> (chloride)	max. 60 mg/l
Cl <sub>2</sub> (free chlorine)	max. 0.2 mg/l
SO <sub>4</sub> <sup>2-</sup> (sulphate)	max. 150 mg/l
Fe (iron)	max. 0.1 mg/l
Temperature	max. 40 °C
Electrical conductivity	min. 20 µS/cm

\*See diagram of connection positions, page 2.

### Water consumption

#### Water-supply connections A, B

Ø Consumption for cooking**	6.0 l/h
Max. water flow rate	15 l/min

\*\*Including water used for cooling the wastewater.

PLEASE NOTE: See diagram of connection positions, page 2.

**Emissions**
**Heat output**

Latent heat 3500 kJ/h / 0.97 kW

Sensible heat 4500 kJ/h / 1.25 kW

**Waste water temperature** max. 80 °C

**Noise during operation** max. 70 dBA

**ACCESSORIES**

(Please refer to the Accessories brochure for detailed information)

**Stacking kit**

**Permitted combination** 6.10 on 10.10  
(only electrical units)

**Condensation hood ConvoVent 4\***
**Electrical supply**

Rated voltage 1N~ 200-240V 50/60Hz

Rated power consumption 130-260 W

Rated current 1.0-1.9 A

Fuse 2.5 A

**Dimensions / Weight excluding packaging**

Width 877 mm

Depth 1085 mm

Height 240 mm

Weight 66 kg

**Safety clearance above\*\*** 500 mm

\*Special condensation hoods are available for use in the stacking kit.

\*\*Depends on type of air ventilation system and nature of ceiling.

**Condensation hood ConvoVent 4+\***
**Electrical supply**

Rated voltage 1N~ 200-240V 50/60Hz

Rated power consumption 130-260 W

Rated current 1.0-1.9 A

Fuse 2.5 A

**Dimensions / Weight excluding packaging**

Width 877 mm

Depth 1085 mm

Height 373 mm

Weight 85 kg

**Safety clearance above\*\*** 500 mm

\*Special condensation hoods are available for use in the stacking kit.

\*\*Depends on type of air ventilation system and nature of ceiling.

**Please observe the following points:**

- This document is to be used solely for planning purposes.
- Please refer to the Installation instructions for further technical data and guidance on installation and positioning.