

Data sheet DFIE150_V2



Constructive Features

- cooking vessel in stainless steel AISI 304 (bottom thickness 12mm and wall thickness 2mm) with rounded corners and anti-overflow edge. Vessel motorised on the front axle
- motorised and insulated lid in AISI 304 with food-grade silicone sealing gasket
- self-supporting frame in stainless-steel AISI 430 (thickness 20/10)
- outer cover in stainless steel AISI 304, fine satin finish (thickness 10-20/10)
- adjustable feet in stainless steel AISI 304 to ensure levelling
- protection level IPX5

Functional Features General

- heating by means of thick film heating elements in direct contact with the bottom of the tank
- temperature control via 6(100 lt)/8 (150 lt) probes on the bottom of the tank, 1 probe on the walls, 1 core probe with 3 reading points (5 optional)
- integrated shower head
- socket outlet 230V single-phase 16A
- electronic control by means of multifunctional keyboard with Touch Screen 7" and easy and clear messages
- USB connection to download HACCP data and update the software

Panel Board Functions

- capacitive 7" touch screen
- selection of 3 different cooking modes, with working temperature setting
- cooking type and time setting
- cooking in "Manual" mode
- cooking in "Program" mode
- tank water load setting (hot up to 60°C/cold) with automatic liter measurements
- control for tilting and (automatic) return of the cooking tank from Touch Screen
- control for opening (automatic) and closing of the lid
- language settings touch Screen
- input of different units of measurement (° C/° F ; Liters/gallons ; etc)

Display/Signal

- display type of cooking, set temperature and probe temperature
- heating operating visual alarm
- time to end of cycle display
- display tank out of position for cooking
- self-diagnostics

Safety System

- emergency button
- blocking of heating for excess of temperature with manual resettable safety thermostat
- heating interruption during vat tilting
- prevention of loading large quantities of water
- prevention of water loading and use of the shower when "frying" mode is on

Optionals

- D125 - WHEELS D.125 INOX DFIE..

Accessories

- DAF0150 - STRAINER FOR DFIE.150
- DAP01110 - SHOVEL
- DAP01000 - SPATULA FOR OMELETTE
- DAFF010 - FALSE BOTTOM VESSEL DFIE...
- DAP01140 - LONG HANDLE SCRAPER
- DAP01120 - PERFORATED SHOVEL
- DAPB0150 - GN1/1 DFIE..150 PAN FRAME

Certificates



Planner

.....

.....

.....

.....

.....

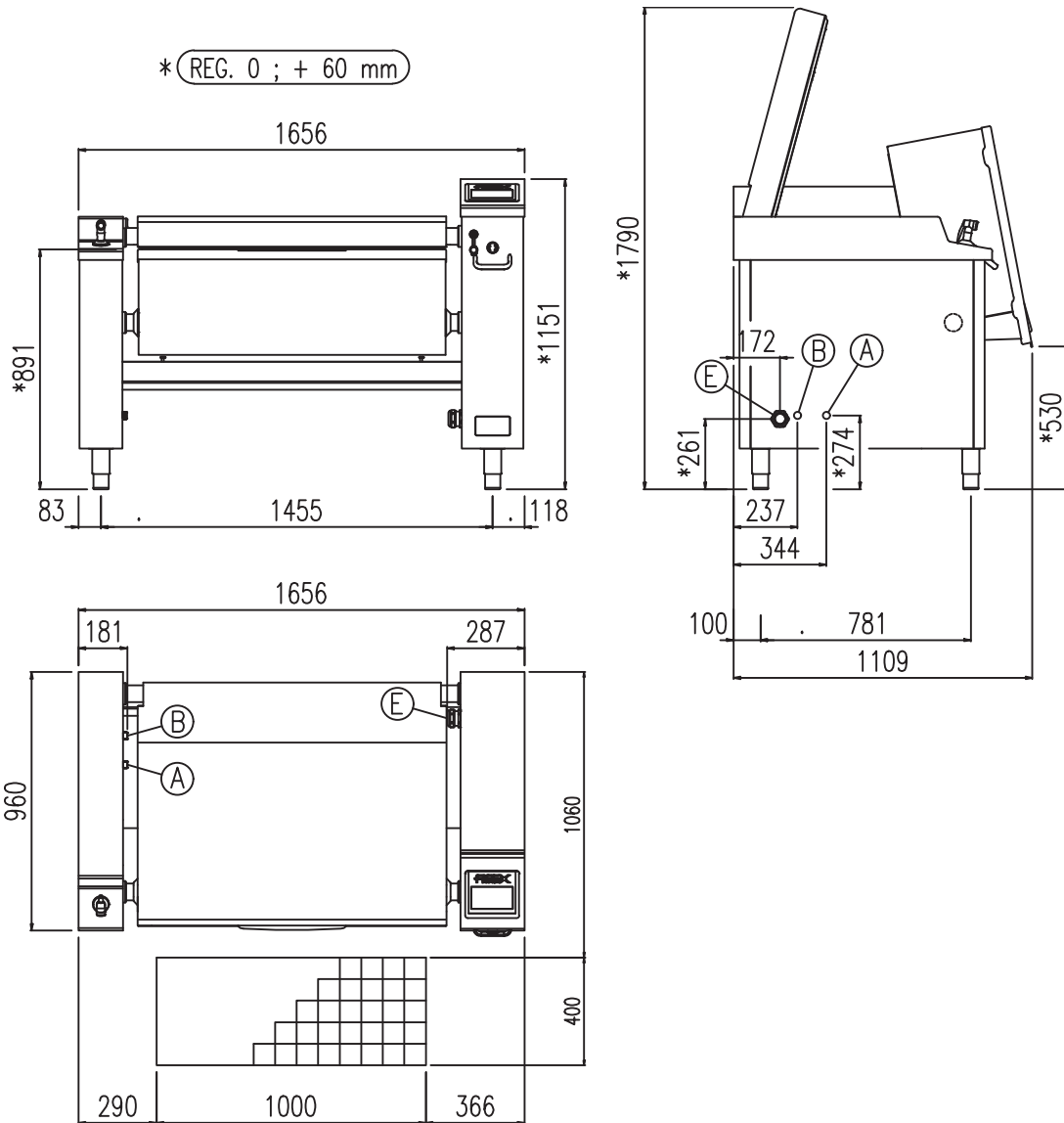
.....

.....

.....

.....

.....



Dimensions weights and capacities

Width	1656 mm	Vessel width	1040 mm	Capacity	157 lt
Depth	960 mm	Vessel depth	610 mm	Cooking vessel surface	63 dm ²
Height	1151 mm	Vessel height	274 mm	Weight	360 kg

Water connection

Water pressure	150÷400 KPa	Cold water inlet (B)	3/4"	Hot water inlet (A)	3/4"
----------------	-------------	----------------------	------	---------------------	------

Electrical connection

STD Voltage (E)	380-415V 3N ~ 50/60Hz	Electric power	38,50 kW	Current	64 A
OPT Voltage (E)	208V 3 ~ 50/60Hz	Electric power	32,00 kW	Current	100 A
OPT Voltage (E)	220-240V 3 ~ 50/60Hz	Electric power	38,50 kW	Current	110 A