



## One Series

# E1603i Induction Boiling Top

### Key features

- 6 x 1.85kW heat zones with 3kW boost function
  - Instant heat and fast heat up times
- In-built pan detection
  - No heat generated until a pan is placed on the hob, meaning no wasted energy
- 6mm toughened glass hob
  - Robust and spillages simply wipe clean, no scrubbing required
- Temperature is precisely controllable
  - Change from gentle simmer to rolling boil almost instantly
- Low cooking surface temperature and no naked flames
  - Safer for kitchen staff as reduced risk of burns
- Very little heat emitted into kitchen
  - Contributes to a more pleasant working environment and existing ventilation doesn't have to work as hard

### Accessories

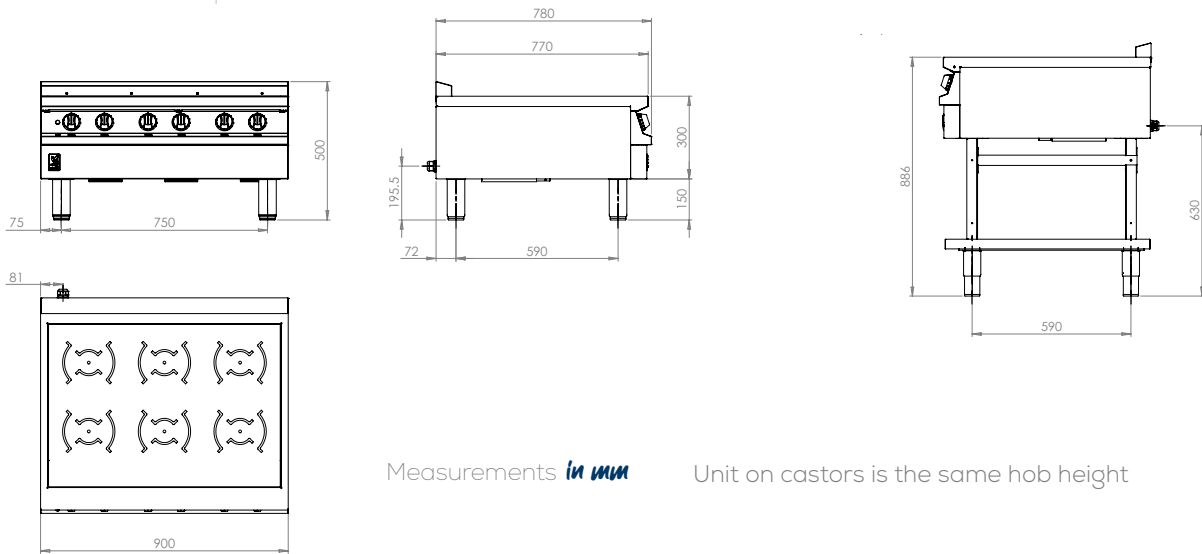
- Fixed stand
- Mobile stand

### Similar Models

- E163i 6 x 1.85kW zone induction range
- E1403i 4 x 1.85kW zone induction top
- E3903i 4 x 3.5kW zone induction top



## Induction Boiling Top



## Specification details

Electrical rating (kW)	11.1
Electrical supply voltage	400V 3N~
Required electrical supply (A)	16A
Electrical current split (A)	L1: 16A, L2: 16A, L3: 16A
Element rating - hob (kW)	1.85 x 6
Heat zone diameter (mm)	180
Minimum pan size (mm)	120
Weight (kg)	46
Packed weight (kg)	64
Packed dimensions (w x d x h - mm)	950 x 850 x 750

## Installation notes

Adequate ventilation must be provided to supply sufficient fresh air and to allow easy removal of any such products that may present a risk to health. Please consult current legislation for details that relate to specific locations

Install unit on a level, fireproof surface in a well-lit position. If floor is made of a combustible material, local fire requirements must be checked to ensure compliance.

A clearance of 150mm should be observed between appliance and any combustible wall.

