



## One Series

# E16li Induction Range (single phase)

### Key features

- 6 x 1.5kW heat zones with 3kW boost function
  - Instant heat and fast heat up times
- In-built pan detection
  - No heat generated until a pan is placed on the hob, meaning no wasted energy
- 6mm toughened glass hob
  - Robust and spillages simply wipe clean, no scrubbing required
- Temperature is precisely controllable
  - Change from gentle simmer to rolling boil almost instantly
- Low cooking surface temperature and no naked flames
  - Safer for kitchen staff as reduced risk of burns
- Very little heat emitted into kitchen
  - Contributes to a more pleasant working environment and existing ventilation doesn't have to work as hard
- 2/1 GN compatible 4kW fan-assisted oven
  - Five shelf positions

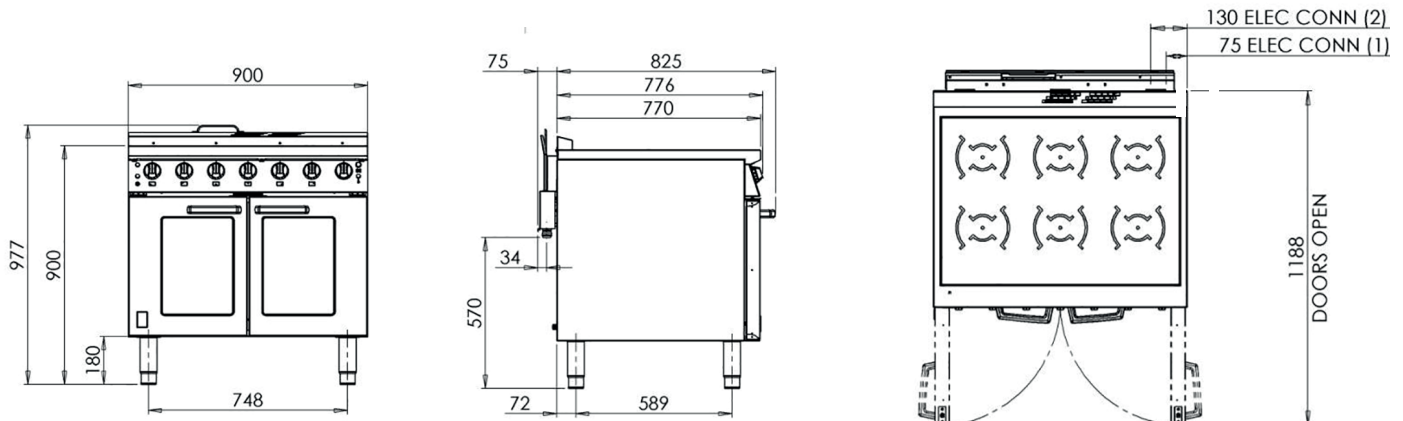
### Accessories

- Oven shelf
- Factory fitted, adjustable castors

### Similar Models

- E163i 6 x 1.85kW zone induction range
- E3913i 6 x 3.5kW zone induction range





Measurements *in mm* Unit on castors is the same hob height

## Specification *details*

Electrical rating (kW)	13	
Electrical supply voltage	230V 1N~	
Required electrical supply (A)	2 x 32	
Electrical current split (A)	Feed 1 - L: 30.4 Feed 2 - L: 26.1	
Element rating - hob (kW)	1.5 x 6	
Element rating - oven (kW)	4	
Oven dimensions (w x d x h - mm)	700 x 535 x 430	
Oven shelf (w x d - mm)	700 x 535	
Gastronorm compatibility	2/1	
Heat zone diameter (mm)	180	
Minimum pan size (mm)	120	
Weight (kg)	116	
Packed weight (kg)	137	
Packed dimensions (w x d x h - mm)	1000 x 1000 x 1100	
GTIN numbers	On feet	On castors

## Installation notes

Adequate ventilation must be provided to supply sufficient fresh air and to allow easy removal of any such products that may present a risk to health. Please consult current legislation for details that relate to specific locations

Install unit on a level, fireproof surface in a well-lit position. If floor is made of a combustible material, local fire requirements must be checked to ensure compliance.

A clearance of 150mm should be observed between appliance and any combustible wall.

