



One Series

E163i Induction Range

Key features

- 6 x 1.85kW heat zones with 3kW boost function
 - Instant heat and fast heat up times
- In-built pan detection
 - No heat generated until a pan is placed on the hob, meaning no wasted energy
- 6mm toughened glass hob
 - Robust and spillages simply wipe clean, no scrubbing required
- Temperature is precisely controllable
 - Change from gentle simmer to rolling boil almost instantly
- Low cooking surface temperature and no naked flames
 - Safer for kitchen staff as reduced risk of burns
- Very little heat emitted into kitchen
 - Contributes to a more pleasant working environment and existing ventilation doesn't have to work as hard
- 2/1 GN compatible 6.4kW fan-assisted oven
 - Five shelf positions

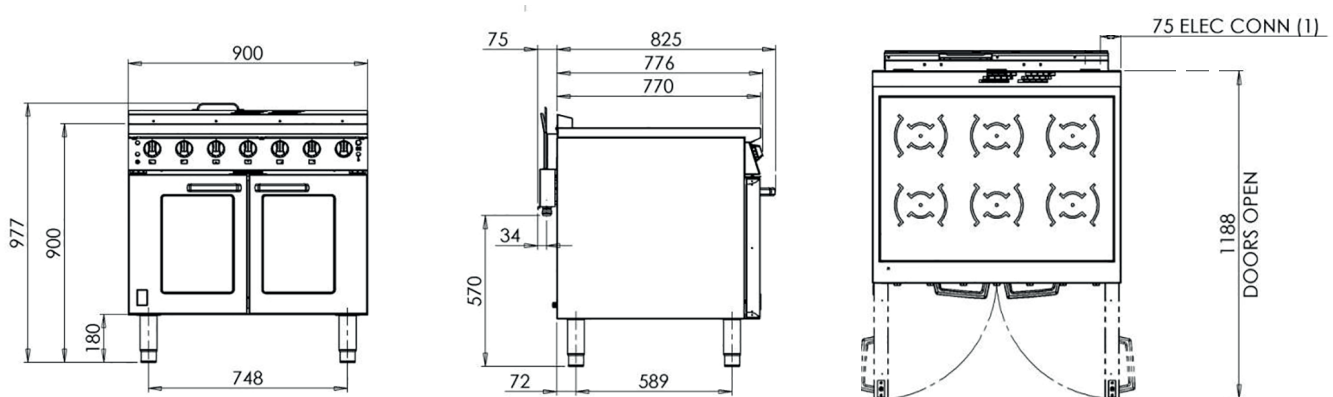
Accessories

- Oven shelf
- Factory fitted, adjustable castors

Similar Models

- E161i 6 x 1.5kW zone induction range
- E3913i 4 x 3.5kW zone induction range





Measurements *in mm*

Unit on castors is the same hob height

Specification *details*

Electrical rating (kW)	17.5	
Electrical supply voltage	400V 3N~	
Required electrical supply (A)	32	
Electrical current split (A)	L1: 30, L2: 30, L3: 16.1	
Element rating - hob (kW)	1.85 x 6	
Element rating - oven (kW)	6.4	
Oven dimensions (w x d x h - mm)	700 x 535 x 430	
Oven shelf (w x d - mm)	700 x 535	
Gastronorm compatibility	2/1	
Heat zone diameter (mm)	180	
Minimum pan size (mm)	120	
Weight (kg)	116	
Packed weight (kg)	137	
Packed dimensions (w x d x h - mm)	1000 x 1000 x 1100	
GTIN numbers	On feet	On castors

Installation notes

Adequate ventilation must be provided to supply sufficient fresh air and to allow easy removal of any such products that may present a risk to health. Please consult current legislation for details that relate to specific locations

Install unit on a level, fireproof surface in a well-lit position. If floor is made of a combustible material, local fire requirements must be checked to ensure compliance.

A clearance of 150mm should be observed between appliance and any combustible wall.

