

Technical data sheet for
ELECTRIC COOKTOP 300mm
E512D-B, E512C-B

- Heavy-duty construction
- 2.4kW open radiant elements
- Optional hot plate elements
- 300mm griddle plate options
- Stainless steel exterior
- Easy clean
- Easy service
- Fully modular



E512D-B

Overall Construction

Cooktop

- Welded hob with 1.5mm stainless steel bull nose
- Side panels 1.2mm stainless steel
- Splashback 1.2mm stainless steel
- Enamelled control panel
- 2.4kW open radiant elements in heavy-duty welded element frames
- Stainless steel spill tray
- Hot plate elements with machine finished 8mm steel plate (optional extra)
- 12mm thick mild steel griddle plates
- 2.5mm stainless steel griddle splash guards
- Aluminised steel internal construction

Bench mount (supplied as -B model)

- Four 63mm dia. heavy-duty 1.2mm stainless steel bench legs with adjustable feet
- Adjustable height 80mm – 105mm

Controls

- Large easy use control knob - heat resistant reinforced
- Easy view control settings on knob
- Radiant elements with energy regulator controls
- Hot Plate elements with energy regulator controls
- 50-320°C thermostat on griddle section
- Power indicator lights for each element control
- Indicator lights for power and heating for each griddle control

Cleaning and Servicing

- All models with easy clean stainless steel external finish
- Stainless steel spill tray
- Lift up element and griddle sections
- Access to all parts from front of unit

Technical data sheet for ELECTRIC COOKTOP 300mm

Specifications

Cooktop

2.4 kW Open Radiant elements
2.0 kW Hot Plate elements
3.4 kW Griddle elements
(per 300mm griddle section)

Griddle Plate

300mm Griddle cooking surface
292mm x 475mm, 1387cm²

Electrical requirements

E512D

4.8 kW, 230-240Vac, 50/60hz, 1P+N+E, 20A

E512C

3.4 kW, 230-240Vac, 50/60hz, 1P+N+E, 14.2A

Dimensions

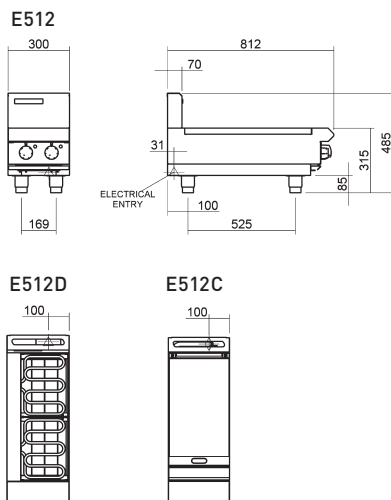
Width 300mm
Depth 812mm
Height 315mm
Incl. splashback 485mm

Packing data

0.20m³
Width 870mm
Depth 350mm
Height 665mm

Options

Hot plate elements
(replace individual open radiant elements)
Ribbed griddle plates



BLUE SEAL

www.blue-seal.co.uk
www.bluesealevolution.com

United Kingdom

Blue Seal Limited

Unit 67
Gravelly Business Park
Gravelly
Birmingham B24 8TQ
England
Telephone 0121-327 5575
Facsimile 0121-327 9711
Email sales@blue-seal.co.uk
www.blue-seal.co.uk

Australia

Moffat Pty Limited

740 Springvale Rd
Mulgrave
Victoria 3170
Australia
Telephone 03-9518 3888
Facsimile 03-9518 3833
Email vsales@moffat.com.au
www.moffat.com.au

New Zealand

Moffat Limited

16 Osborne St
PO Box 10-001
Christchurch 8011
New Zealand
Telephone 03-389 1007
Facsimile 03-389 1276
Email sales@moffat.co.nz
www.moffat.co.nz



ISO9001
Quality
Management
Standard

Designed and manufactured by

MOFFAT

ISO9001

All Blue Seal products are designed and manufactured by Moffat using the internationally recognised ISO9001 quality management system, covering design, manufacture and final inspection, ensuring consistent high quality at all times.



In line with policy to continually develop and improve its products, Moffat Limited reserves the right to change specifications and design without notice.