



## Gas Fryer 400mm FF18

- 400mm wide single pan fryer
- Stainless steel finish
- 25kW (gross) multi-jet target burner
- 25kg / hr production rate
- Stainless steel open pan (no tubes)
- 30mm drain valve
- 18 litre oil capacity
- Mechanical thermostat
- Manual pilot ignition
- Baskets and lid included
- Adjustable feet

### Overall Construction

Stainless steel open tank with cool zone  
Stainless steel exterior front and sides  
Double skin door with stainless steel outer  
50mm dia. stainless steel adjustable legs  
Two nickel plated wire baskets  
Stainless steel lid supplied standard

### Controls

100-190°C mechanical thermostat  
Over-temperature safety cut-out  
Manual ignition pilot burner with flame failure

### Cleaning and Servicing

Open stainless steel pan for easy clean  
Easy clean stainless steel exterior  
30mm drain valve for effective draining  
Lift off basket hanger  
Access to all parts from front of unit



# Fastfri®

## Gas Fryer 400mm FF18

### Burners

Multi-jet target burner

### Gas power (gross)

25kW, 85,300 Btu/hr

### Pan size

Oil capacity 18L (32lbs  
shortening)

Width 305mm

Length 380mm

Oil frying depth 95mm

### Gas connection

R<sup>3</sup>/<sub>4</sub> (BSP) male

40mm from RH side, 24mm from  
rear, and 221mm from floor

All units incorporate Natural and  
LP gas regulator

### Dimensions

Width 400mm

Depth 735mm

Height 915mm

Incl. splashback 1085mm

### Packing data

0.54m<sup>3</sup>

Width 870mm

Depth 495mm

Height 1255mm

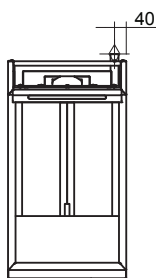
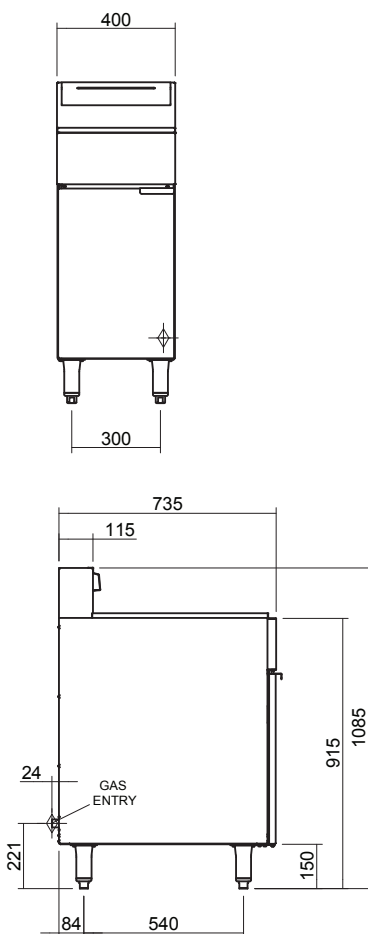
57kg nett weight

97kg packed weight

### Gas types

Available in Natural gas and LP  
gas, please specify when ordering

Other gas types on request



**BLUE SEAL®**

[www.blue-seal.co.uk](http://www.blue-seal.co.uk)

United Kingdom  
Blue Seal Limited

Unit 67  
Gravelly Business Park  
Gravelly  
Birmingham B24 STQ  
England  
Ph 0121-327 5575  
Fax 0121-327 9711  
[sales@blue-seal.co.uk](mailto:sales@blue-seal.co.uk)  
[www.blue-seal.co.uk](http://www.blue-seal.co.uk)

Australia  
Moffat Pty Limited

740 Springvale Road  
Mulgrave  
Victoria 3170  
Australia  
Ph 03-9518 3888  
Fax 03-9518 3833  
[vsales@moffat.com.au](mailto:vsales@moffat.com.au)  
[www.moffat.com.au](http://www.moffat.com.au)

New Zealand  
Moffat Limited

16 Osborne Street  
PO Box 10-001  
Christchurch 8011  
New Zealand  
Ph +64 3-389 1007  
Fax +64 3-389 1276  
[sales@moffat.co.nz](mailto:sales@moffat.co.nz)  
[www.moffat.co.nz](http://www.moffat.co.nz)



ISO9001  
Quality  
Management  
Standard

Designed and manufactured by



ISO9001

All Blue Seal products are designed  
and manufactured by Moffat using the  
internationally recognised ISO9001  
quality management system, covering  
design, manufacture and final  
inspection, ensuring consistent high  
quality at all times.



In line with policy to continually  
develop and improve its products,  
Moffat Limited reserves the right to  
change specifications and design  
without notice.

© Copyright Moffat Ltd  
Moffat 10.13 / 1357

