

Technical data sheet for
GAS SALAMANDER
G91B

- Powerful infra-red gas burners
- Left and right individual burner controls
- Branding plate
- Wall mounting bracket
- Easy clean
- Easy service



G91B

Overall Construction

- Monocoque construction
- Enamelled front brow
- External panels of 0.9mm stainless steel
- Stainless steel tray under grilling area with grease trough
- Two individually controlled 4.4kW infra-red burners
- Suitable for bench or wall mounting

Racking

- Four position racking (flat or inclined)
- Adjustable chrome wire rack with heat resistant handles

Controls

- Large easy use controls
- Heat resistant reinforced control knobs
- Variable high to low burner control
- Piezo ignition and flame failure protection on each burner

Cleaning and Servicing

- Access to all parts from front of unit
- Stainless steel and enamelled surfaces used throughout

Technical data sheet for GAS SALAMANDER

Specifications

Burners
2 x 4.4kW

Gas power (gross)
8.8kW, 30,000 Btu/hr

Gas connection
R 1/2 (BSP) male

Dimensions

Width 900mm
Depth 424mm (455mm with wall mounting bracket)
Height 456mm

Cooking area

Rack size 610mm x 310mm, 1890cm²
Branding Plate 610mm x 310mm, 1890cm²

Nett weight

42kg

Packing data

0.31m³, 69kg
Width 945mm
Depth 520mm
Height 635mm

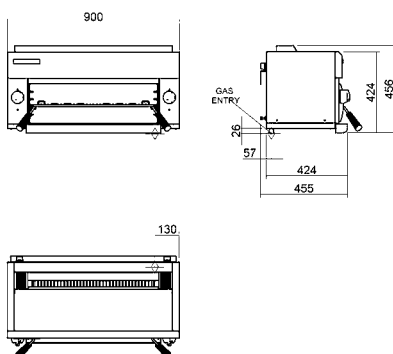
Gas types

Available in both Natural gas and LP gas, please specify when ordering
All units are supplied with gas conversion kits

Options

100mm high feet for bench mounting

G91B



BLUE SEAL

www.blue-seal.co.uk
www.bluesealevolution.com

United Kingdom

Blue Seal Limited

Unit 67
Gravelly Business Park
Gravelly
Birmingham B24 8TQ
England
Telephone 0121-327 5575
Facsimile 0121-327 9711
Email sales@blue-seal.co.uk
www.blue-seal.co.uk

Australia

Moffat Pty Limited

740 Springvale Rd
Mulgrave
Victoria 3170
Australia
Telephone 03-9518 3888
Facsimile 03-9518 3833
Email vsales@moffat.com.au
www.moffat.com.au

New Zealand

Moffat Limited

16 Osborne St
PO Box 10-001
Christchurch 8011
New Zealand
Telephone 03-389 1007
Facsimile 03-389 1276
Email sales@moffat.co.nz
www.moffat.co.nz



Designed and manufactured by

MOFFAT

ISO9001
All Blue Seal products are designed and manufactured by Moffat using the internationally recognised ISO9001 quality management system, covering design, manufacture and final inspection, ensuring consistent high quality at all times.



In line with policy to continually develop and improve its products, Moffat Limited reserves the right to change specifications and design without notice.