

ICE Range icemakers

halcyon®

ICE 130

SELF-CONTAINED
ICE CUBE MACHINE

230 V / 50 HZ

Halcyon ICE 130 Features

- **2 year warranty**
- Double skin insulated assembly
- Environmentally friendly R290 refrigerant
- Spray system produces large crystal clear cubes
- Removable stainless steel spray bar for easy cleaning
- Removable, flexible spray jets for ease of cleaning
- Simple operating system
- Easily adjustable controls for optimum performance



Supplied with:



Water inlet filter gasket



Water inlet hose



Water outlet hose



Medium scoop



4 height adjustable leg kit

For additional information contact our Sales Team on

T: **0345 130 8070** E: **sales@maidaid-halcyon.co.uk** or visit **www.maidaid.co.uk**

ICE Range icemakers



ICE 130

SELF-CONTAINED
ICE CUBE MACHINE

230 V / 50 HZ

Technical Data

	24 H	10°C (Kg)	10°C (Kg)	21°C (Kg)	15°C (Kg)	(Kg)	(mm)	(mm)	
ICE 130		126	119	65	Width 930 Depth 565 Height 1,010 <small>(including feet)</small>	Width 1,000 Depth 630 Height 1,040	26 gram 35 (Ø) x 35 mm (H) Average dimensions		

Operating
Conditions –
Production 50Hz

- ±10% V
- 5°C/43°C
- 5°C/35°C
- 1 bar/6 bar
- 72 Ice cubes/cycle

R290

V	Hz	ph
230	50	1N

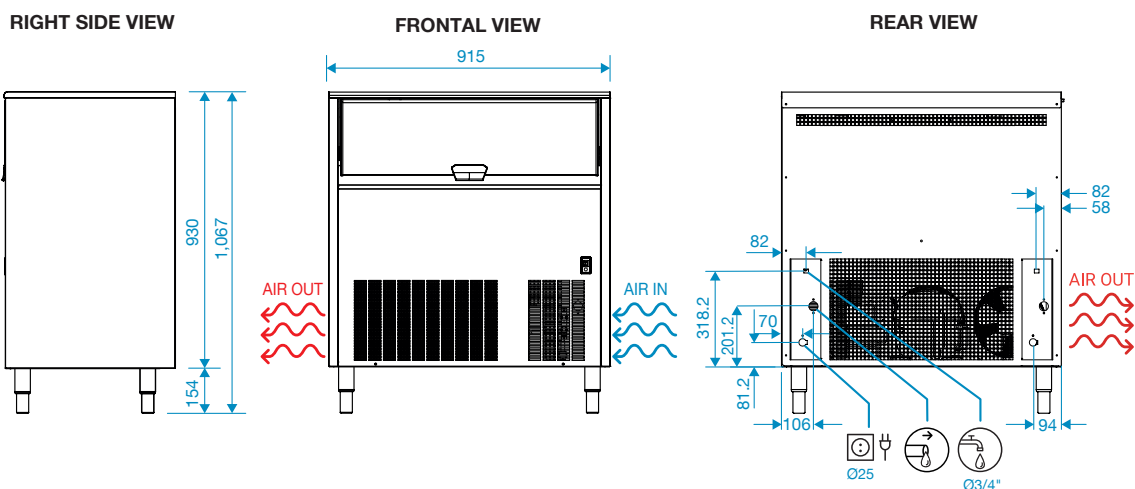
ICE 130 AIR COOLED

°C / °F	10° / 50°	15° / 60°	21° / 70°	30° / 86°
10° / 50°	126	123	113	109
21° / 68°	123	119	110	106
32° / 90°	108	104	95	91
43° / 109°	95	90	78	74

(W)	(BTU/h)	(W) 43°C	(n.)	(mm ²)	FUSE	100 Kg (Kwh)	(l/h)	HEAT REJECTED (W) (BTU/h)	(Kg)	(Kg)	(m ³)		
ICE 130	2,847	9,720	940	3	1.5	16	19.1	11	2,031	6,934	83	104	0.66

Installation Diagram

All dimensions in mm



For additional information contact our Sales Team on

T: **0345 130 8070** E: **sales@maidaid-halcyon.co.uk** or visit **www.maidaid.co.uk**