

ICE Range icemakers

halcyon®

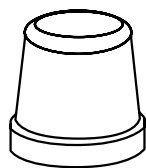
ICE 80

SELF-CONTAINED
ICE CUBE MACHINE

230 V / 50 HZ

Halcyon ICE 80 Features

- **2 year warranty**
- Double skin insulated assembly
- Environmentally friendly R290 refrigerant
- Spray system produces large crystal clear cubes
- Removable stainless steel spray bar for easy cleaning
- Removable, flexible spray jets for ease of cleaning
- Simple operating system
- Easily adjustable controls for optimum performance



26
gram



**A3S
Anti-scale
spray system**



**EASI
Easy Access
for Service &
Installation**



**SILENT
RAIN**



**FRONT
VENTILATION**

Supplied with:



Water inlet filter gasket



Water inlet hose



Water outlet hose



Small scoop



4 leg kit

For additional information contact our Sales Team on

T: **0345 130 8070** E: **sales@maidaid-halcyon.co.uk** or visit **www.maidaid.co.uk**

ICE Range icemakers



ICE 80

SELF-CONTAINED
ICE CUBE MACHINE

230 V / 50 HZ

Technical Data

	24 H	10°C	10°C	21°C	15°C	STOCK	(mm)	(mm)	
		(Kg)	(Kg)	(Kg)	(Kg)		Width 645 Depth 645 Height 970 (including feet)	Width 500 Depth 650 Height 830	26 gram 35 (Ø) x 35 mm (H) Average dimensions
ICE 80		78	72	40					

Operating
Conditions –
Production 50Hz

- ±10% V
- 5°C/43°C
- 5°C/35°C
- 1 bar/6 bar
- 48 Ice cubes/cycle

V	Hz	ph
230	50	1N

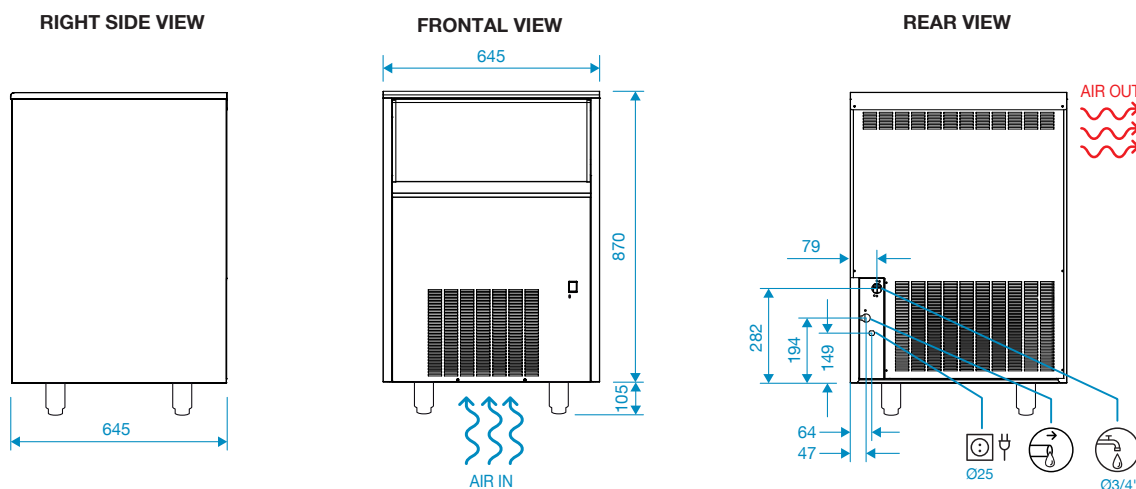
24 H ICE 25 AIR COOLED

°C / °F	10° 50°	15° 60°	21° 70°	30° 86°
10° 50°	78	76	73	66
21° 68°	73	72	67	65
32° 90°	72	68	64	63
43° 109°	60	60	61	55

	(W)	(BTu/h)	(W) 43°C	(n.)	(mm²)	FUSE	100 Kg (Kwh)	(l/h)	HEAT REJECTED (W) (BTu/h)	(Kg)	(Kg)	(m³)	
ICE 80	460	1,568	795	3	1.5	10	25	8	-	-	62	69	0.50

Installation Diagram

All dimensions in mm



For additional information contact our Sales Team on

T: **0345 130 8070** E: **sales@maidaid-halcyon.co.uk** or visit **www.maidaid.co.uk**

Maidaid Halcyon reserve the right to alter specifications & dimensions without prior notification, all dimensions will be +/- 3mm.