

# INDUCTION COOKTOP 450mm

## - FULL AREA INDUCTION ZONE

IN511F-B, IN511F-LS, IN511F-CB

- Heavy-duty construction
- One 270mm square full area induction zone
- 5kW heating
- Automatic pan detection switches induction zone off when pan removed
- 3 models of base unit
- Stainless steel exterior
- Easy clean
- Easy service
- Fully modular



IN511F-LS



### Overall Construction

#### Cooktop

- Welded hob with 2.0mm stainless steel hob top
- Splashback and side panels 1.2mm stainless steel
- Front panels 0.9mm stainless steel
- 6mm thick ceramic glass cooking surface

#### Bench mount (supplied as – B model)

- Four 63mm dia. heavy-duty 1.2mm 304 stainless steel bench legs with adjustable feet
- Adjustable height 80mm – 105mm

#### Leg stand (supplied as – LS model)

- Fully modular for matched suite finish
- Framed top for connection to Cooktop
- 63mm dia. heavy-duty 1.2mm 304 stainless steel legs with two adjustable feet at front and two rollers at rear
- Fully modular framed stand shelf with 0.9mm 304 stainless steel finish
- Quick assembly design

#### Cabinet base (supplied as – CB model)

- Fully modular for match suite finish
- Double skin 0.9mm 304 stainless steel interior and exterior
- 63mm dia. heavy-duty 1.2mm 304 stainless steel legs with two adjustable feet at front and two rollers at rear

### Controls

- Large easy use control knob
- Infinitely variable power controls for each induction zone
- Heating ON indicator light (green) including pan detection indication
- Error mode indicator light (green)

### Cleaning and Servicing

- All models with easy clean stainless steel external finish
- Fully sealed cooking surface
- Removable full stainless steel air intake filters (induction cooling)
- Front service access

# INDUCTION COOKTOP 450mm

## - FULL AREA INDUCTION ZONE

IN511F-B, IN511F-LS, IN511F-CB

### Specifications

#### Cooktop

1 x 5.0kW full area induction zone  
270mm square induction zone

#### Electrical requirements

IN511F  
5.0kW, 400-415V, 50/60Hz, 3P+E  
7A / phase

#### Dimensions

Bench model  
Width 450mm  
Depth 812mm  
Height 355mm  
Incl. splashback 525mm

All models (excluding Bench model)

Width 450mm  
Depth 812mm  
Height 915mm  
Incl. splashback 1085mm

#### Nett weight

88kg

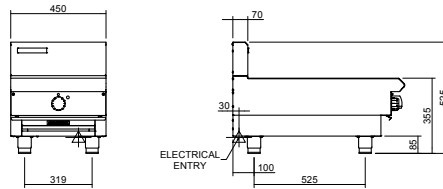
#### Packing data

0.54m<sup>3</sup>, 130kg  
Width 495mm  
Depth 865mm  
Height 1255mm

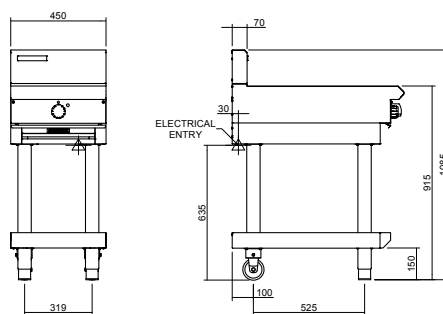
#### Options

Castors  
Plinth mounting

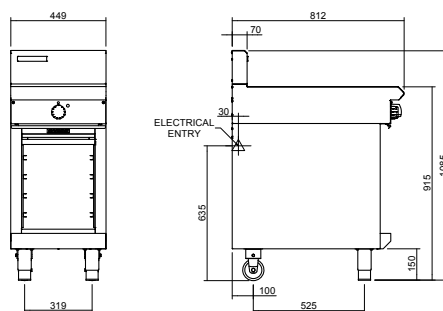
IN511-B



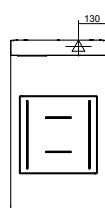
IN511-LS



IN511-CB



IN511F



[www.blue-seal.co.uk](http://www.blue-seal.co.uk)

United Kingdom  
[blue-seal.co.uk](http://blue-seal.co.uk)  
Blue Seal Limited  
Unit 67  
Gravelly Business Park  
Gravelly  
Birmingham B24 8TQ  
England  
Telephone 0121-327 5575  
Facsimile 0121-327 9711  
[sales@blue-seal.co.uk](mailto:sales@blue-seal.co.uk)

Australia  
[moffat.com.au](http://moffat.com.au)  
Moffat Pty Limited  
740 Springvale Road  
Mulgrave  
Victoria 3170  
Australia  
Telephone +613-9518 3888  
Facsimile +613-9518 3833  
[vsales@moffat.com.au](mailto:vsales@moffat.com.au)

New Zealand  
[moffat.co.nz](http://moffat.co.nz)  
Moffat Limited  
45 Illinois Drive  
Izone Business Hub  
Rolleston 7675  
New Zealand  
Telephone +64 3-983 6600  
Facsimile +64 3-983 6660  
[sales@moffat.co.nz](mailto:sales@moffat.co.nz)

International  
[moffat.com](http://moffat.com)  
[international@moffat.co.nz](mailto:international@moffat.co.nz)



Designed and manufactured by



ISO9001  
All Blue Seal products are designed and manufactured by Moffat using the internationally recognised ISO9001 quality management system, covering design, manufacture and final inspection, ensuring consistent high quality at all times.

In line with policy to continually develop and improve its products, Moffat Limited reserves the right to change specifications and design without notice.

