



## J10/P - Silverlink 600 Propane Gas Free- standing Twin Tank Fryer - 2 Baskets - W 600 mm - 22.6 kW

Deliver perfectly crisp on the outside and fluffy on the inside chips time after time with the Silverlink 600 Free Standing Gas Fryer.

- ✓ Double tank twin basket operation giving you the flexibility to cook different foods or loads simultaneously, delivering 100 kg of chips an hour
- ✓ Front mounted controls for safety
- ✓ Thermostatically controlled to give accurate cooking temperatures throughout cooking. Flame failure device and top temperature cut out ensures safe operation.
- ✓ Cool zone collects cooking debris - gives cleaner cooking results and saves money by prolonging the life of the oil
- ✓ Piezo ignition for easy lighting
- ✓ Heavy duty nickel plated baskets for the most demanding of operations
- ✓ Internal drain off tap for easy removal of cooking oil

### Specifications

#### Summary

<b>Range Name</b>	Silverlink 600
<b>Power Type</b>	Gas
<b>Gas Type</b>	Propane Gas
<b>Unit Type</b>	Free-standing
<b>Available in UK Only</b>	No
<b>UK Warranty</b>	2 Years Parts and Labour Warranty
<b>Export Warranty</b>	Contact your local dealer
<b>GTIN Code</b>	5056105105091

#### Power and Performance

<b>BTU per Hour</b>	81,880
<b>Total Power kW</b>	24.0
<b>Temperature Range °C</b>	110 - 190
<b>Temperature Control</b>	Mechanical

#### Key Specifications

<b>Capacity Litres</b>	2 x 12.0
<b>Number of Baskets</b>	2
<b>Number of Tanks</b>	2
<b>Gravity Filtration</b>	No
<b>Pumped Filtration</b>	No
<b>Drain Location</b>	Internal

#### Weights and Dimensions

<b>Unit Height (External) mm</b>	1060
<b>Unit Width (External) mm</b>	600
<b>Unit Depth (External) mm</b>	690
<b>Net Weight Kg</b>	73.7

#### Supply Connections

<b>Requires Installation</b>	Yes
<b>Requires Electrical Supply</b>	No
<b>Gas Connection BSP</b>	1/2"
<b>Gas Consumption at full rate Propane m³ per Hour</b>	1.62
<b>Gas Pressure Propane mbar</b>	25.0
<b>Total heat input at full rate Propane kW</b>	22.6
<b>Total heat input at full rate Propane BTU per hour</b>	72,700

#### Shipping

<b>Packed Weight Kg</b>	87
<b>Packed Height cm</b>	122
<b>Packed Width cm</b>	81.3
<b>Packed Depth cm</b>	68.5

### Available Accessories

CH01

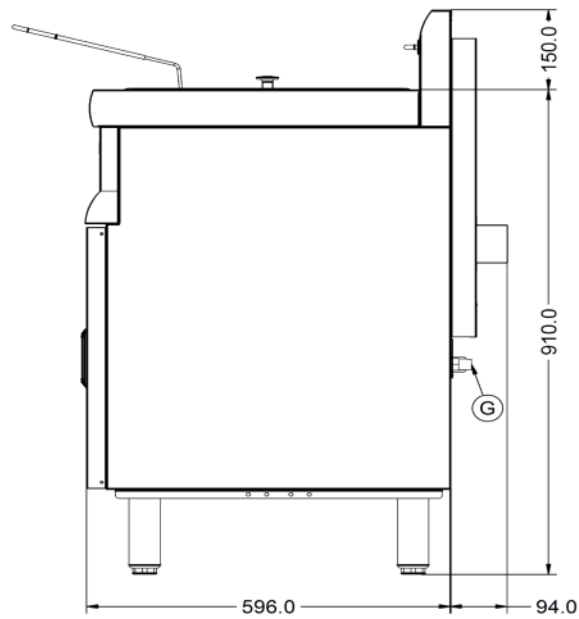
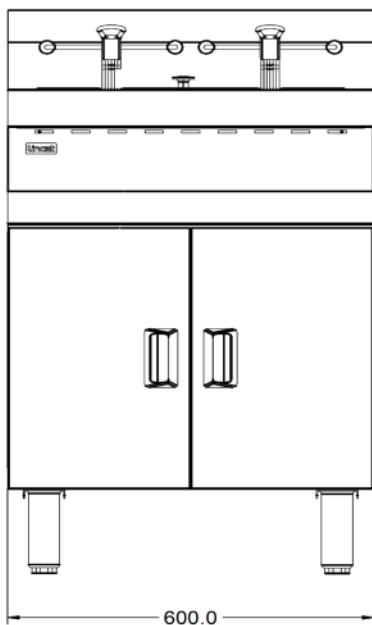
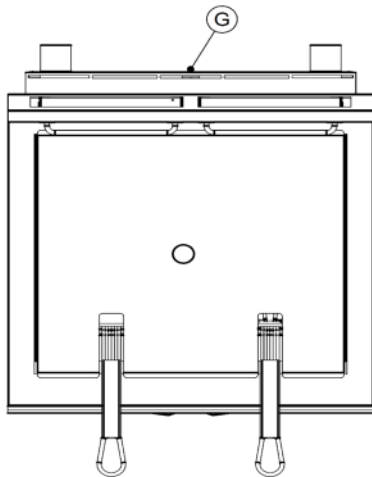
NULL

Available Accessories

CH02

NULL

Technical Picture





**Lincat Limited**

Whisby Road,  
Lincoln, LN6 3QZ,  
United Kingdom

**Company No:** 2175448

A member company of



**Customer Care**

**Tel:** +44 1522 875500  
**Email:** care@lincat.co.uk

**Export Customers**

**Tel:** +44 1522 503250  
**Email:** export@lincat.co.uk

**Opening Hours**

**Monday – Friday:**  
8.30am – 5pm