



## M5F - Lincat FilterFlow MF Wall Mounted Automatic Fill Boiler - 5.5L Capacity - 3.0 kW

Easy to install with a 3 pin plug and just three screws, the M5F provides filtered boiling water on tap 24/7.

- ✓ High quality boiling water on tap 24 hours a day
- ✓ Wall mounted, compact design
- ✓ Easy installation - UK 3 pin plug and three screws
- ✓ Built-in water filtration system improves water quality
- ✓ High volume, easy change FilterFlow cartridge
- ✓ Adjustable water temperature from 70°- 96°C
- ✓ Precise electronic temperature control system
- ✓ LCD information panel
- ✓ Enhanced multi-level diagnostics

### Specifications

| Summary                     |                                   | Power and Performance       |       |
|-----------------------------|-----------------------------------|-----------------------------|-------|
| <b>Brand</b>                | Lincat                            | <b>Total Power kW</b>       | 3.0   |
| <b>Range</b>                | FilterFlow                        | <b>Temperature Range °C</b> | 70-96 |
| <b>Series</b>               | MF Wall-mounted Boiler            | <b>IP Rating</b>            | IPX23 |
| <b>Power Type</b>           | Electric                          | <b>Hourly Output Litres</b> | 28    |
| <b>Unit Type</b>            | Wall-mounted                      | <b>Hourly Output Cups</b>   | 140   |
| <b>Available in UK Only</b> | No                                |                             |       |
| <b>UK Warranty</b>          | 2 Years Parts and Labour Warranty |                             |       |
| <b>Export Warranty</b>      | Contact your local dealer         |                             |       |
| <b>GTIN</b>                 | 5056105117957                     |                             |       |

| Key Specifications   |            | Capacity                         |     |
|----------------------|------------|----------------------------------|-----|
| <b>Outlet</b>        | Single Tap | <b>Hot and Cold Water Output</b> | No  |
| <b>Dispense Lock</b> | No         | <b>Rapid Draw Off Litres</b>     | 5.5 |
|                      |            | <b>Rapid Draw Off Cups</b>       | 28  |
|                      |            | <b>Capacity Litres</b>           | 5.5 |

| Weights and Dimensions           |     | Supply Connections                    |         |
|----------------------------------|-----|---------------------------------------|---------|
| <b>Unit Height (External) mm</b> | 448 | <b>Requires Installation</b>          | No      |
| <b>Unit Width (External) mm</b>  | 340 | <b>Requires Electrical Supply</b>     | Yes     |
| <b>Unit Depth (External) mm</b>  | 269 | <b>UK 3 Pin Plug</b>                  | Yes     |
| <b>Net Weight Kg</b>             | 9.9 | <b>Requires Hardwiring</b>            | No      |
|                                  |     | <b>Electrical Supply Rating Watts</b> | 3,000   |
|                                  |     | <b>Single Phase Amps</b>              | 13      |
|                                  |     | <b>Single Phase Voltage</b>           | 230     |
|                                  |     | <b>Water Connection Pressure Bar</b>  | 1.0-8.0 |
|                                  |     | <b>Water Connection</b>               | 3/4"    |

| Shipping                |    |
|-------------------------|----|
| <b>Packed Weight Kg</b> | 13 |
| <b>Packed Height cm</b> | 35 |
| <b>Packed Width cm</b>  | 41 |
| <b>Packed Depth cm</b>  | 63 |

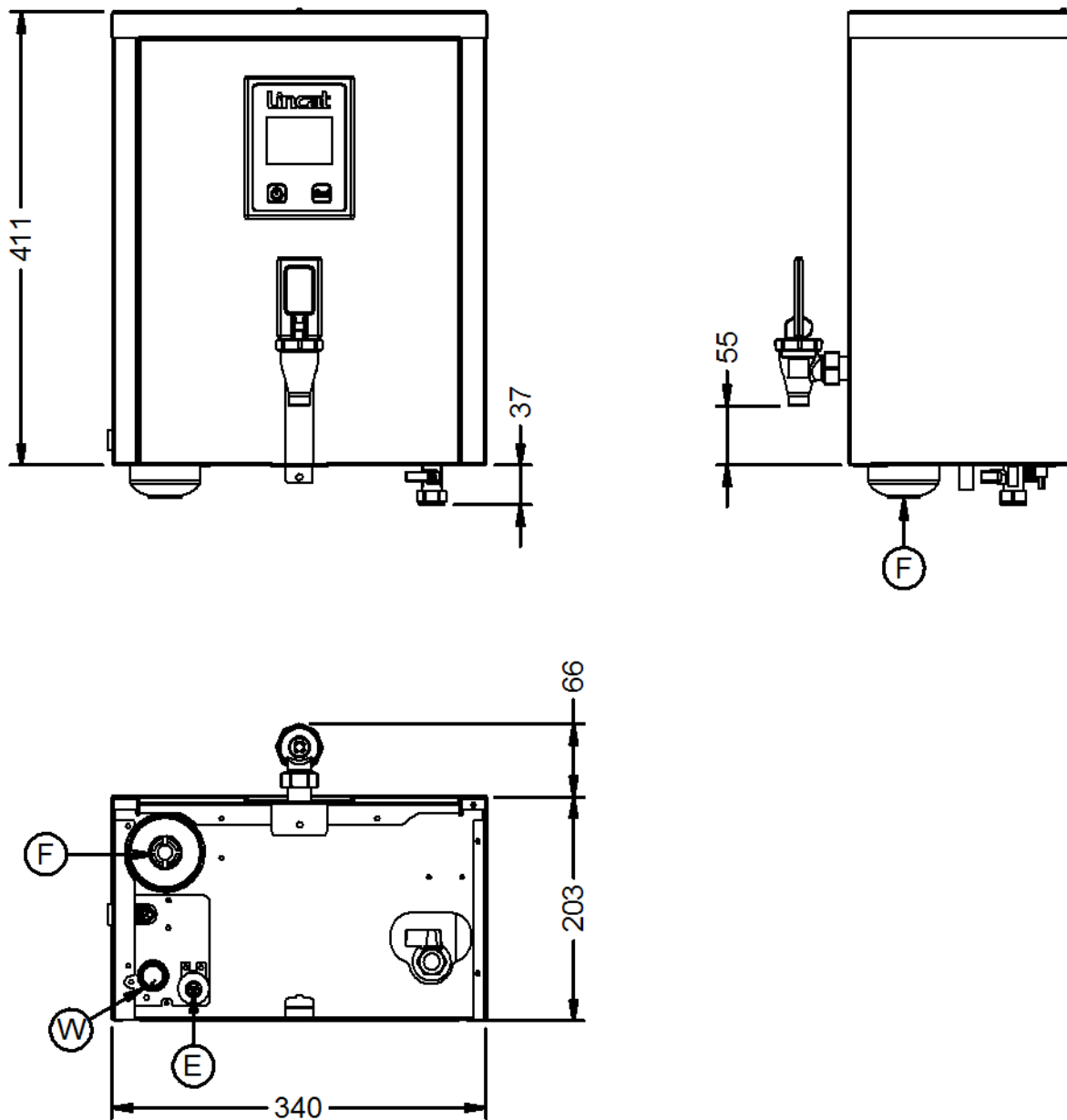
### Available Accessories

DP10 DESCALER POWDER

Available Accessories

|      |   |
|------|---|
| DR95 | NULL  |
| FC04 | Filter Cartridge for Lincat FilterFlow Water Boiler |

Technical Picture





**Lincat Limited**

Whisby Road,  
Lincoln, LN6 3QZ,  
United Kingdom

**Company No:** 2175448

A member company of



**Customer Care**

**Tel:** +44 1522 875500  
**Email:** care@lincat.co.uk

**Export Customers**

**Tel:** +44 1522 875536  
**Email:** export@lincat.co.uk

**Opening Hours**

**Monday – Friday:**  
8.30am – 5pm