

C Range

undercounter

TRAY/DISHWASHER



C615 ws

Maidaid **C615 WS** Features

- **2 year warranty**
- Four button bright LED display with soft touch controls, twin traffic lights giving constant status updates & operational self diagnostics



- Alarms menu with hi-level information retrieval
- Quick release triple wash & rinse arm design
- Stainless steel surface scrap tray filters supplied as standard
- Automatic continuous internal water softener
- Drain pump and breaktank as standard
- Substantial usable height of 375mm to cater for large washware
- Three standard cycle time options with further options available
- Cycle times can be tailored to site requirements
- Automatic self-cleaning at end of service
- Selectable energy saving mode
- Selectable thermostop ensures optimum rinse temperatures
- Patented dual flow wash pump - reducing power consumption whilst retaining wash efficiency
- Moulded wash tank for easy cleaning
- Moulded rack guide giving partial double skin
- Accurate detergent & rinse aid peristaltic dosing pumps as standard
- Compatible with 500 x 500 racks



Supplied with one
500 x 600 pegged rack
& one 500 x 500 open rack.

Additional racks can be
purchased at point of order:

- Q902016B** – 500 x 600 open glass/cup rack
- Q902017B** – 500 x 600 plate rack
- Z972001** – 500 x 500 open glass/cup rack
- Z972003** – 500 x 500 plate rack



For additional information contact our Sales Team on

T: **0345 130 8070** E: **sales@maidaid-halcyon.co.uk** or visit **www.maidaid.co.uk**

C Range

undercounter

TRAY/DISHWASHER

C615 ws

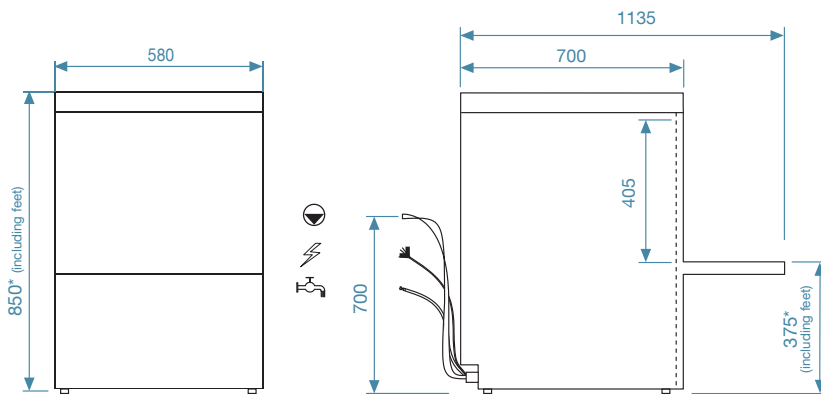


Technical Data

| | | | | | |
|--------------------------|---------|-----------------|------------------------|----------------|------------------|
| Dimensions (W x D x H) | mm | 580 x 700 x 840 | Wash tank element | kW | 2.1 |
| | | + Feet | Boiler element | kW | 6 |
| Feet height | mm | 10-20 | Wash pump | kW | 0.61 |
| Rack size | mm | 500 x 600 | Tank capacity | L | 23 |
| Maximum useable height | mm | 375 | Noise emission | dB | ≤ 55 |
| Door opening | mm | 405 | Packaging Specs | | |
| Theoretical productivity | Racks/h | 40 | Gross weight | Kg | 69 |
| Effective productivity | Racks/h | 30* | Cubic volume | m ³ | 0.45 |
| | | | Dim. (W x D x H) | mm | 670 x 780 x 1000 |

*Allowing 30 seconds for reloading
Cycle times may vary depending on local conditions/services

Installation Diagram – All services must be within 1 meter





*Height-adjustable feet + 10mm

Power Supply

| | | |
|-------------------------|------------------|-----|
| Installed power | AMP | kW |
| 230V – 50Hz – 1N | 13 | 2.8 |
| | 20 | 4.7 |
| | 30* | 6.7 |
| Optional 3 Phase config | Total load 6.7kW | |
| Fused | 16 amp | |

*Standard configuration

 **Pumped waste into upstand, maximum height 700mm**

 **Power**
 **Water supply 2 – 4 bar**

Water Connection

| | | |
|----------------------|-------|---------------|
| Inlet water pressure | Bar | 2 to 4 |
| Flow rate L/Min | L/Min | 6 |
| Water inlet temp | °C | 10 to 50 |
| Water connection | BSP | ¾" |
| Waste connection | Ø | Int 19/ext 24 |

Cycle Information

| | | |
|-----------------------------|-----|-------------------------|
| Number of standard cycles | | 3 |
| Standard cycles times | Sec | 90/120/150 – adjustable |
| Special cycle | | Eco, Glass, Long |
| Self-cleaning cycle | | Full self clean |
| Water consumption per cycle | L | 2.5 |
| Wash temperature | °C | 60 – adjustable |
| Rinse temperature | °C | 82 – adjustable |

For additional information contact our Sales Team on

T: **0345 130 8070** E: **sales@maidaïd-halcyon.co.uk** or visit **www.maidaïd.co.uk**