



OE8306 - Lincat Opus 800 Electric Counter-top Adjustable Salamander Grill - W 600 mm - 4.5 kW

An Opus 800 Salamander Grill with cooking zones which heat up in just eight seconds, and a plate detection and hold function.

- ✓ Cook and hold function. Hold function ensures food is kept warm but does not continue to cook
- ✓ Fast heat up 'Hi-Light' elements - ready to cook in just eight seconds
- ✓ Plate detection mechanism is activated by a plate or gastronorm pan. Once the plate is removed and the plate detection mechanism freed, the elements automatically switch off saving energy
- ✓ GN 1/1 compatible
- ✓ Touchpad control with digital display of time and power settings
- ✓ 20 minute timer

Specifications

Summary

Brand	Lincat
Range	Opus 800
Power Type	Electric
Unit Type	Counter-top
Available in UK Only	No
UK Warranty	2 Years Parts and Labour Warranty
Export Warranty	Contact your local dealer
GTIN	5056105102632

Power and Performance

Total Power kW	4.5
IP Rating	IPX3
Cooking Area (Width x Depth) mm	525 x 335
Temperature Control	Mechanical

Key Specifications

Number of Heat Zones	3
-----------------------------	---

Capacity

Gastronorm Capacity	1 x GN1/1
----------------------------	-----------

Weights and Dimensions

Unit Height (External) mm	544
Unit Width (External) mm	600
Unit Depth (External) mm	562
Shelf Dimensions Width mm	525
Shelf Dimensions Depth mm	335
Net Weight Kg	62.5

Supply Connections

Requires Installation	Yes
UK 3 Pin Plug	No
Requires Hardwiring	Yes
Electrical Supply Rating Watts	4,500
Single Phase Amps	19.60
Single Phase Voltage	230
Three Phase Amps	L1=6.5; L2=6.5; L3=6.5
Three Phase Voltage	400

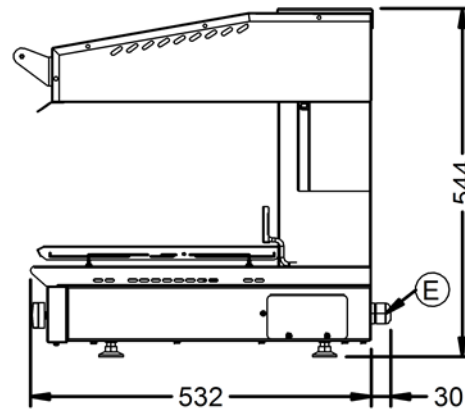
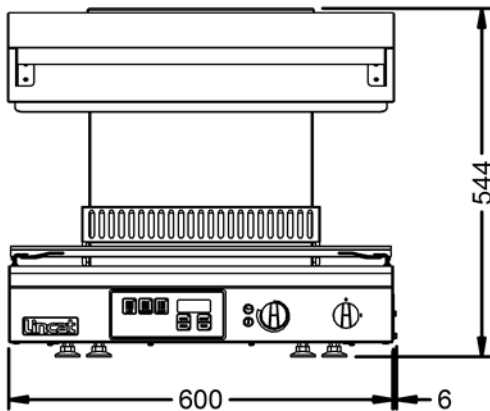
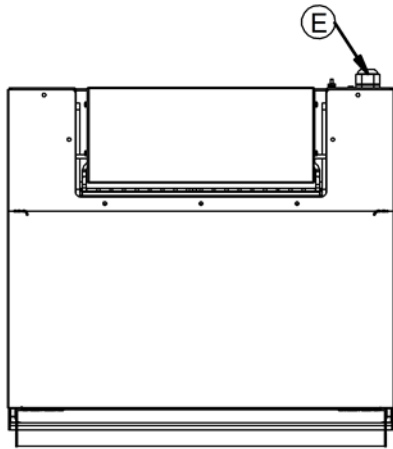
Shipping

Packed Weight Kg	89
Packed Height cm	88.3
Packed Width cm	70.3
Packed Depth cm	70.3

Available Accessories

BR75	NULL
-------------	------

Technical Picture



Lincat Limited

Whisby Road,
Lincoln, LN6 3QZ,
United Kingdom

Company No: 2175448

A member company of



Customer Care

Tel: +44 1522 875500
Email: care@lincat.co.uk

Export Customers

Tel: +44 1522 875536
Email: export@lincat.co.uk

Opening Hours

Monday – Friday:
8.30am – 5pm