



OE8601 - Lincat Opus 800 Electric Counter-top Bain Marie - Wet Heat - Gastronorms - W 400 mm - 1.8 kW

Hold sauces and soups at the perfect temperature with the Opus 800 Electric Wet Heat Bain Marie Base Unit.

- ✓ Compatible with standard GN 1/1 containers
- ✓ Unique, easy-to-clean flush fitting plate element
- ✓ Accurate thermostatic control maintains food at a constant and safe temperature
- ✓ Boil dry protection feature prevents element from overheating and failing
- ✓ Front mounted tap for easy drainage

Specifications

Summary

Brand	Lincat
Range	Opus 800
Power Type	Electric
Unit Type	Counter-top
Available in UK Only	No
UK Warranty	2 Years Parts and Labour Warranty
Export Warranty	Contact your local dealer
GTIN	5056105102649

Power and Performance

Total Power kW	1.80
IP Rating	IP24
Temperature Control	Mechanical

Key Specifications

Drain Location	Front-mounted
Pot Type	Gastronorm
Type of Heat	Wet

Capacity

Gastronorm Capacity	1 x GN1/1
----------------------------	-----------

Weights and Dimensions

Unit Height (External) mm	300
Unit Width (External) mm	400
Unit Depth (External) mm	800
Net Weight Kg	17

Supply Connections

Requires Installation	No
Requires Electrical Supply	Yes
UK 3 Pin Plug	Yes
Requires Hardwiring	No
Electrical Supply Rating Watts	1,800
Single Phase Amps	7.8
Single Phase Voltage	230

Shipping

Packed Weight Kg	18.7
Packed Height cm	42
Packed Width cm	85
Packed Depth cm	45

Available Accessories

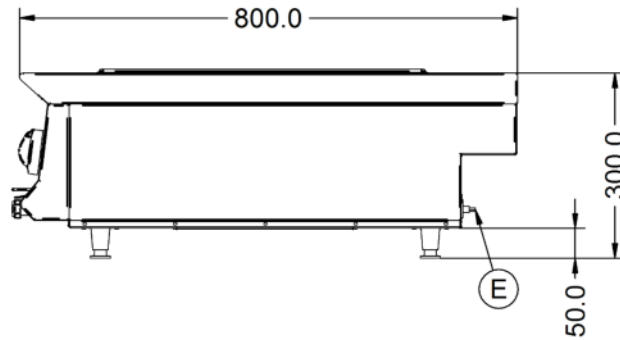
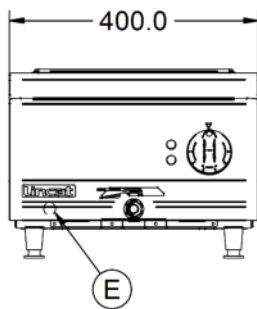
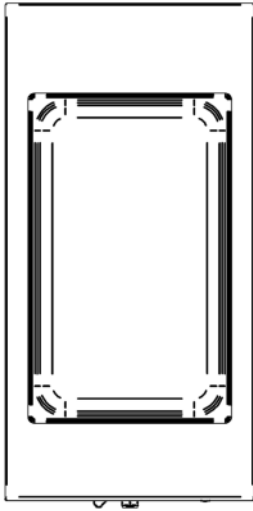
LK11	OPUS 800 LONG LEG KIT
OA8921	Lincat Opus 800 Free-standing Floor Stand with Legs - for units W 400 mm
OA8926	GASTRONORM & LID
OA8927	GASTRONORM & LID
OA8928	GASTRONORM & LID

Available Accessories

OA8971

Lincat Opus 800 Free-standing Pedestal with Doors and Legs - for units W 400 mm

Technical Picture





Lincat Limited

Whisby Road,
Lincoln, LN6 3QZ,
United Kingdom

Company No: 2175448

A member company of



Customer Care

Tel: +44 1522 875500
Email: care@lincat.co.uk

Export Customers

Tel: +44 1522 875536
Email: export@lincat.co.uk

Opening Hours

Monday – Friday:
8.30am – 5pm