



OG8005/N - Opus 800 Natural Gas Free- standing Solid Top Oven Range - W 900 mm - 18.5 kW

Designed for ultimate accuracy and versatility, the Opus 800 Solid Top Range with Cast Iron Plate provides chefs with more flexibility when it comes to the size and number of pans used.

- ✓ Ultimate flexibility use the smallest of pans to the largest of stock pots - Use the central area for rapid boiling and outer areas for simmering and holding
- ✓ Powerful 10kW dual Burner produces consistent heat gradient throughout the plate
- ✓ Profiled underside of cast iron top for optimum heat circulation
- ✓ Low flue to allow use of the complete hob top
- ✓ Powerful 9.5kW oven
- ✓ Gas Solid Top Range

Specifications

Summary

Range Name	Opus 800
Power Type	Gas
Gas Type	Natural Gas
Unit Type	Free-standing
Available in UK Only	No
UK Warranty	2 Years Parts and Labour Warranty
Export Warranty	Contact your local dealer
GTIN Code	5056105102281

Power and Performance

BTU per Hour	63,125
Gastronorm Capacity	4 x GN1/1
Total Power kW	18.5
Temperature Range °C	120 - 280
Cooking Area (Width x Depth) mm	900 x 600
Temperature Control	Mechanical
Rating per Hob kW	9.0
Oven Rating kW	9.5

Key Specifications

Number of Shelves included	2
Number of Shelf Positions	4
Number of Hobs	2
Shape of Hob	Square

Weights and Dimensions

Unit Height (External) mm	900
Unit Width (External) mm	900
Unit Depth (External) mm	800
Height (Internal) mm	405
Width (Internal) mm	715
Depth (Internal) mm	530
Shelf Dimensions Width mm	710
Shelf Dimensions Depth mm	512
Hob Dimensions mm	600 x 450
Net Weight Kg	154.5

Supply Connections

Requires Installation	Yes
Requires Electrical Supply	No
Gas Connection BSP	3/4"
Gas Consumption at full rate Natural m³ per Hour	1.76
Gas Pressure Natural mbar	20.0
Total heat input at full rate Natural kW	18.5
Total heat input at full rate Natural BTU per hour	63,125

Shipping

Packed Weight Kg	172.5
Packed Height cm	103
Packed Width cm	100
Packed Depth cm	85

Available Accessories

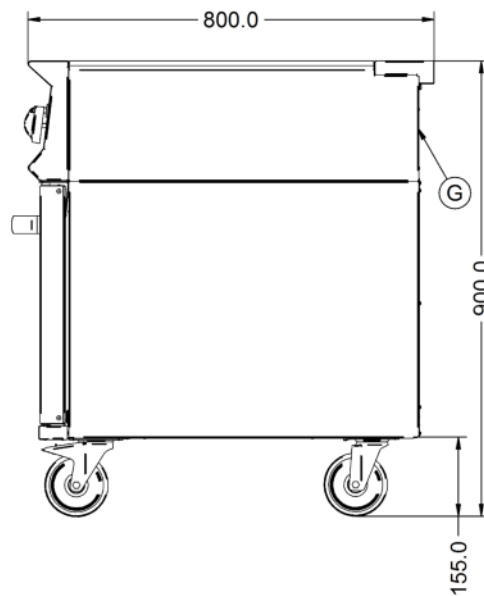
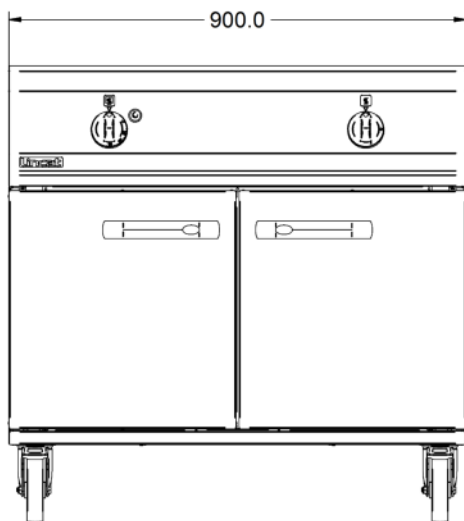
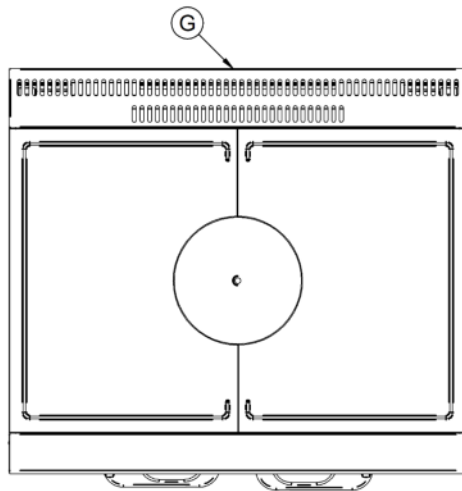
CH01

CATERFLEX HOSE 1/2" 1 METRE

Available Accessories

CH02	CATERFLEX HOSE 1/2" 1.5 METRE
LK06	OPUS 800 LEG KIT
OA8980	SPLASHBACK/SHELF - 0G8005

Technical Picture





Lincat Limited

Whisby Road,
Lincoln, LN6 3QZ,
United Kingdom

Company No: 2175448

A member company of



Customer Care

Tel: +44 1522 875500
Email: care@lincat.co.uk

Export Customers

Tel: +44 1522 503250
Email: export@lincat.co.uk

Opening Hours

Monday – Friday:
8.30am – 5pm