



OG8111/P - Lincat Opus 800 Propane Gas Free-standing Twin Tank Fryer - 2 Baskets - W 600 mm - 32.0 kW

An accurate Opus 800 Twin-Tank Free Standing Gas Fryer which comes with two independent fryer tanks for greater versatility.

- ✓ Two independent fryer tanks for greater versatility
- ✓ Convenient piezo ignition
- ✓ Externally fired heating gives easy access for cleaning tanks

Specifications

Summary

Brand	Lincat
Range	Opus 800
Power Type	Gas
Gas Type	Propane Gas
Unit Type	Free-standing
Available in UK Only	No
UK Warranty	2 Years Parts and Labour Warranty
Export Warranty	Contact your local dealer
GTIN	5056105103189

Power and Performance

BTU per Hour	109,184
Total Power kW	32.0
Temperature Range °C	90-190
Temperature Control	Mechanical

Key Specifications

Number of Baskets	2
Number of Tanks	2
Gravity Filtration	No
Pumped Filtration	No
Drain Location	Through the body

Capacity

Product Output per Hour	44kg chips - 12mm [frozen], 64kg chips - 12mm [chi]
Capacity Litres	2 x 14.0

Weights and Dimensions

Unit Height (External) mm	1020
Unit Width (External) mm	600
Unit Depth (External) mm	800
Net Weight Kg	131.7

Supply Connections

Requires Installation	Yes
Requires Electrical Supply	No
Gas Connection BSP	1/2"
Gas Consumption at full rate Propane m³ per Hour	2.29
Gas Pressure Propane mbar	37.0
Total heat input at full rate Propane kW	32.0
Total heat input at full rate Propane BTU per hour	109,189

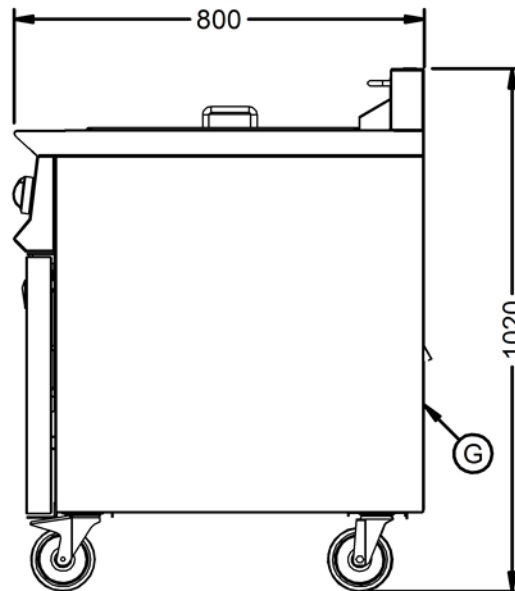
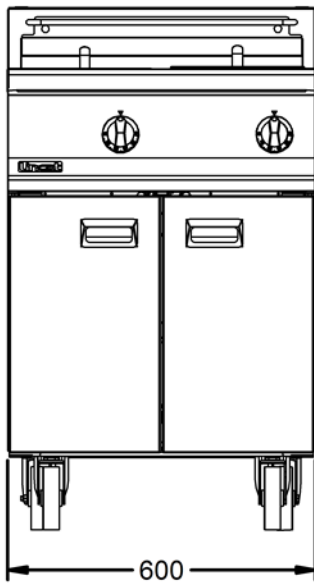
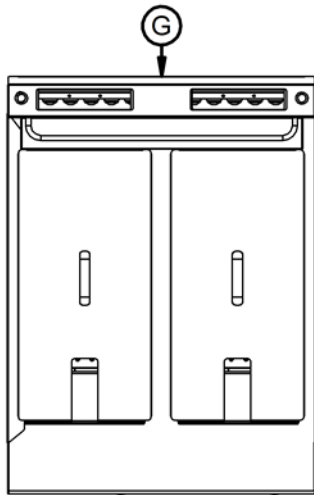
Shipping

Packed Weight Kg	142
Packed Height cm	122
Packed Width cm	70
Packed Depth cm	85

Available Accessories

LK02	OPUS 350 LEG KIT
OA8955	SPLASHGUARD FRYERS - OPUS 800
OF2	Oil filter kit - size 2

Technical Picture



Lincat Limited

Whisby Road,
Lincoln, LN6 3QZ,
United Kingdom

Company No: 2175448

A member company of



Customer Care

Tel: +44 1522 875500
Email: care@lincat.co.uk

Export Customers

Tel: +44 1522 503250
Email: export@lincat.co.uk

Opening Hours

Monday – Friday:
8.30am – 5pm