



## P6B2 - Lincat Panther 670 Series Free-standing Hot Cupboard - Bain Marie Top - 2GN - W 980 mm - 2.6 kW

A great solution for holding and transporting food at the perfect temperature, the Panther 670 Series Hot Cupboard / Bain Marie is designed to fit through narrow doorways, so is ideal for pubs and smaller restaurants as well as nursing and care homes where plated meals are to be transported from the kitchen to the residents.

- ✓ Ideal to fit through narrow corridors and doorways
- ✓ Bain marie top, ideal for small restaurants, cafes and pubs, as well as nursing and care homes, where the easy transportation of plated meals to diners and residents is a necessity
- ✓ Fan assisted hot cupboard provides even heat distribution, fast heat up and recovery times, and lower energy usage. Four shelf positions allow adjustment to meet individual needs.
- ✓ Fully 1/1 GN compatible hot cupboard for operational efficiency. Units available to take 2 x 1/1 GN containers up to 150mm deep.
- ✓ Thermostatically controlled bain marie top can be operated with wet or dry heat. Accurate digital electronic control of the hot cupboard temperature, adjustable between 20 and 99 °C, ensures compliance with food hygiene regulations
- ✓ Double skinned construction provides efficient heat retention and a cool to touch exterior - safe and energy efficient. Removable doors and shelves allow access to the fully stainless steel interior for easy cleaning
- ✓ Supplied with two heavy duty multi-section chrome plated rod shelves capable of taking the heaviest loads
- ✓ Drain tap located inside the hot cupboard allows fast and easy draining

### Specifications

#### Summary

<b>Brand</b>	Lincat
<b>Range</b>	Panther
<b>Series</b>	670 Series
<b>Power Type</b>	Electric
<b>Unit Type</b>	Free-standing
<b>Available in UK Only</b>	No
<b>UK Warranty</b>	2 Years Parts and Labour Warranty
<b>Export Warranty</b>	Contact your local dealer
<b>GTIN</b>	5056105103394

#### Power and Performance

<b>Total Power kW</b>	2.60
<b>Temperature Range °C</b>	20-99
<b>IP Rating</b>	IP24
<b>Temperature Control</b>	Top: Mechanical; Bottom: Electronic

#### Key Specifications

<b>Drain Location</b>	Right side interior mounted
<b>Number of Shelves included</b>	2
<b>Number of Shelf Positions</b>	4
<b>Pot Type</b>	Gastronorm
<b>Type of Heat</b>	Wet/Dry
<b>Heated Base</b>	Yes
<b>Heated Gantry</b>	No
<b>Static or Mobile</b>	Mobile

#### Capacity

<b>Gastronorm Capacity</b>	2 x GN1/1
<b>Plate Capacity</b>	222

### Weights and Dimensions

Unit Height (External) mm	912
Unit Width (External) mm	980
Unit Depth (External) mm	672
Height (Internal) mm	432
Width (Internal) mm	795
Depth (Internal) mm	512
Shelf Dimensions Width mm	785
Shelf Dimensions Depth mm	512
Net Weight Kg	80.9

### Supply Connections

Requires Installation	No
Requires Electrical Supply	Yes
UK 3 Pin Plug	Yes
Requires Hardwiring	No
Electrical Supply Rating Watts	2,600
Single Phase Amps	11.3
Single Phase Voltage	230

### Shipping

Packed Weight Kg	101.4
Packed Height cm	105
Packed Width cm	100
Packed Depth cm	80

### Available Options

#### Overshelf or Gantry

PG2A	PG2A - Ambient Gantry
PG2H	PG2H - Heated Gantry
PS2A1	PS2A1 - 1 Ambient Overshelf
PS2A2	PS2A2 - 2 Ambient Overshelves
PS2A3	PS2A3 - 3 Ambient Overshelves
PS2H1	PS2H1 - 1 Heated Overshelf
PS2H2	PS2H2 - 2 Heated Overshelves
PS2H3	PS2H3 - 3 Heated Overshelves

#### Door Locks

PDL2	PDL2 - Lockable Door
------	----------------------

#### Corner Guards

PCG	PCG - Corner Guards[Set of Four]
-----	----------------------------------

#### Trayslides

PTS2	PTS2 - Tray Slide
------	-------------------

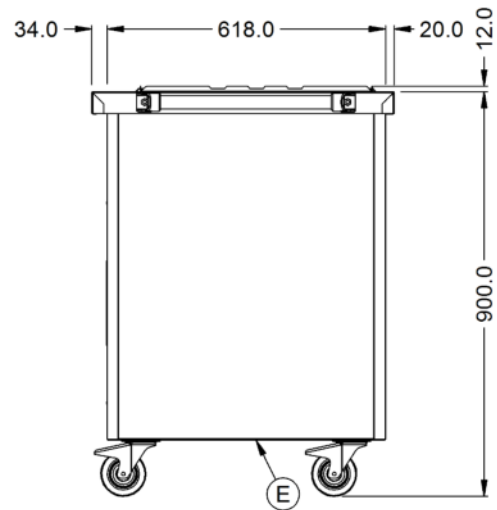
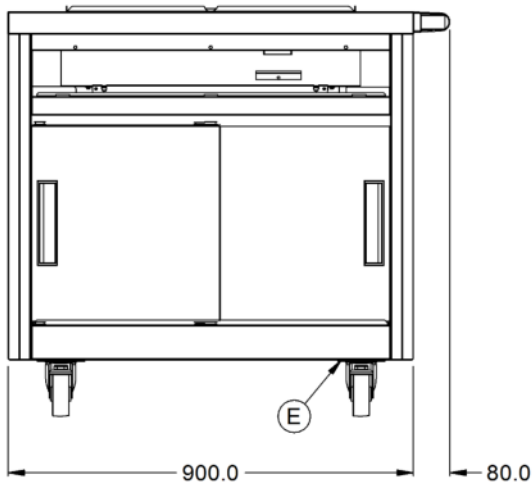
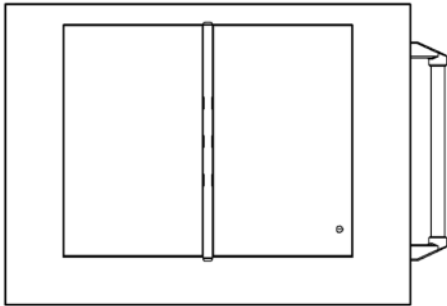
#### Legs/Castors

PLK	PLK - Legs[non chargeable]
-----	----------------------------

### Available Accessories

CP16	CP16 - CARVERY PAD[1/1 GASTRONORM SIZE]
PGK1	PGK1 - GASTRONORM PACK
PGK2	PGK2 - GASTRONORM PACK
PGK3	PGK3 - GASTRONORM PACK
PHTC	PHTC - CERAMIC INSERT [1/1 GASTRONORM SIZE]
PHTG	PHTG - GLASS INSERT [1/1 GASTRONORM SIZE]
PLK/S	PLK/S - LEG KIT [FOR CONVERSION IN THE FIELD]
PPB6	PPB6 - ADDITIONAL PUSHBAR

Technical Picture



**Lincat Limited**

Whisby Road,  
Lincoln, LN6 3QZ,  
United Kingdom

**Company No:** 2175448

A member company of



**Customer Care**

**Tel:** +44 1522 875500  
**Email:** care@lincat.co.uk

**Export Customers**

**Tel:** +44 1522 875536  
**Email:** export@lincat.co.uk

**Opening Hours**

**Monday – Friday:**  
8.30am – 5pm