



## P8P4 - Lincat Panther 800 Series Free-standing Hot Cupboard - Plain Top - W 1530 mm - 2.5 kW

Helping to cater in demanding environments such as cafeterias, canteens and restaurants, the Panther 800 Series Hot Cupboard is perfect for plating and garnishing and as a pass to front of house staff, while it also provides extra workspace or can be used as a mobile workstation.

- ✓ Helping to cater in demanding environments such as cafeterias, canteens and restaurants
- ✓ Fan assisted hot cupboard provides even heat distribution, fast heat up and recovery times, and lower energy usage. Four shelf positions allow adjustment to meet individual needs.
- ✓ Fully 1/1 GN compatible hot cupboard for operational efficiency. Units available to take 4 x 1/1 GN containers up to 150mm deep.
- ✓ Accurate digital electronic control of the hot cupboard temperature, adjustable between 20 and 99 °C, ensures compliance with food hygiene regulations
- ✓ Double skinned construction provides efficient heat retention and a cool to touch exterior - safe and energy efficient. Removable doors and shelves allow access to the fully stainless steel interior for easy cleaning
- ✓ Supplied with two heavy duty multi-section chrome plated rod shelves capable of taking the heaviest loads

### Specifications

Summary		Power and Performance	
<b>Brand</b>	Lincat	<b>Total Power kW</b>	2.50
<b>Range</b>	Panther	<b>Temperature Range °C</b>	20-99
<b>Series</b>	800 Series	<b>IP Rating</b>	IP24
<b>Power Type</b>	Electric	<b>Temperature Control</b>	Electronic
<b>Unit Type</b>	Free-standing		
<b>Available in UK Only</b>	No		
<b>UK Warranty</b>	2 Years Parts and Labour Warranty		
<b>Export Warranty</b>	Contact your local dealer		
<b>GTIN</b>	5056105103578		

Key Specifications		Capacity	
<b>Number of Shelves included</b>	2	<b>Plate Capacity</b>	396
<b>Number of Shelf Positions</b>	4		
<b>Heated Base</b>	Yes		
<b>Heated Gantry</b>	No		
<b>Static or Mobile</b>	Mobile		

Weights and Dimensions		Supply Connections	
<b>Unit Height (External) mm</b>	900	<b>Requires Installation</b>	No
<b>Unit Width (External) mm</b>	1530	<b>Requires Electrical Supply</b>	Yes
<b>Unit Depth (External) mm</b>	850	<b>UK 3 Pin Plug</b>	Yes
<b>Height (Internal) mm</b>	432	<b>Requires Hardwiring</b>	No
<b>Width (Internal) mm</b>	1,345	<b>Electrical Supply Rating Watts</b>	2,500
<b>Depth (Internal) mm</b>	512	<b>Single Phase Amps</b>	10.9
<b>Shelf Dimensions Width mm</b>	1,286	<b>Single Phase Voltage</b>	230
<b>Shelf Dimensions Depth mm</b>	512		
<b>Net Weight Kg</b>	141		

## Shipping

<b>Packed Weight Kg</b>	166
<b>Packed Height cm</b>	110
<b>Packed Width cm</b>	155
<b>Packed Depth cm</b>	90

## Available Options

### Overshelf or Gantry

<b>PG4A</b>	PG4A - Ambient Gantry
<b>PG4H</b>	PG4H - Heated Gantry
<b>PS4A1</b>	PS4A1 - 1 Ambient Overshelf
<b>PS4A2</b>	PS4A2 - 2 Ambient Overshelves
<b>PS4A3</b>	PS4A3 - 3 Ambient Overshelves
<b>PS4H1</b>	PS4H1 - 1 Heated Overshelf
<b>PS4H2</b>	PS4H2 - 2 Heated Overshelves
<b>PS4H3</b>	PS4H3 - 3 Heated Overshelves

### Door Locks

<b>PDL4</b>	PDL4 - Lockable Door
-------------	----------------------

### Corner Guards

<b>PCG</b>	PCG - Corner Guards [Set of Four]
------------	-----------------------------------

### Trayslides

<b>PTS4</b>	PTS4 - Tray Slide
-------------	-------------------

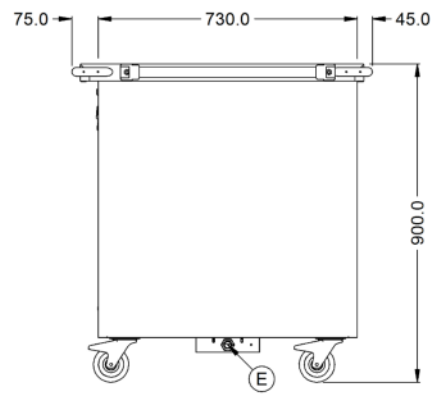
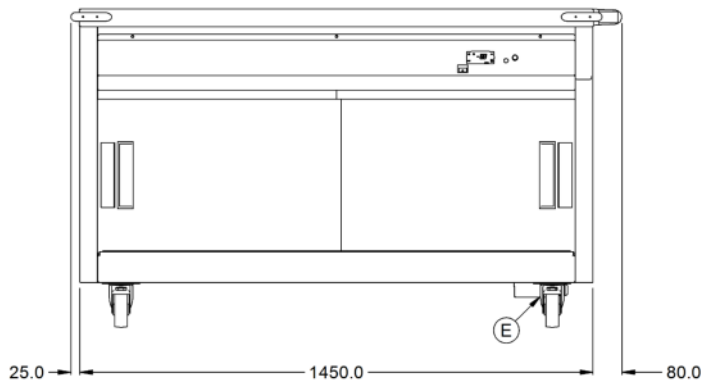
### Legs/Castors

<b>PLK</b>	PLK - Legs [non chargeable]
------------	-----------------------------

## Available Accessories

<b>PLK/S</b>	PLK/S - LEG KIT [FOR CONVERSION IN THE FIELD]
<b>PPB8</b>	PPB8 - ADDITIONAL PUSHBAR

## Technical Picture



#### Lincat Limited

Whisby Road,  
Lincoln, LN6 3QZ,  
United Kingdom

**Company No:** 2175448

A member company of



#### Customer Care

**Tel:** +44 1522 875500  
**Email:** care@lincat.co.uk

#### Export Customers

**Tel:** +44 1522 875536  
**Email:** export@lincat.co.uk

#### Opening Hours

**Monday – Friday:**  
8.30am – 5pm