



P8P5 - Lincat Panther 800 Series Free-standing Hot Cupboard - Plain Top - W 1855 mm - 2.5 kW

Helping to cater in demanding environments such as cafeterias, canteens and restaurants, the Panther 800 Series Hot Cupboard is perfect for plating and garnishing and as a pass to front of house staff, while it also provides extra workspace or can be used as a mobile workstation.

- ✓ Helping to cater in demanding environments such as cafeterias, canteens and restaurants
- ✓ Fan assisted hot cupboard provides even heat distribution, fast heat up and recovery times, and lower energy usage. Four shelf positions allow adjustment to meet individual needs.
- ✓ Fully 1/1 GN compatible hot cupboard for operational efficiency. Units available to take 5 x 1/1 GN containers up to 150mm deep.
- ✓ Accurate digital electronic control of the hot cupboard temperature, adjustable between 20 and 99 °C, ensures compliance with food hygiene regulations
- ✓ Double skinned construction provides efficient heat retention and a cool to touch exterior - safe and energy efficient. Removable doors and shelves allow access to the fully stainless steel interior for easy cleaning
- ✓ Supplied with two heavy duty multi-section chrome plated rod shelves capable of taking the heaviest loads

Specifications

Summary

| | |
|-----------------------------|-----------------------------------|
| Brand | Lincat |
| Range | Panther |
| Series | 800 Series |
| Power Type | Electric |
| Unit Type | Free-standing |
| Available in UK Only | No |
| UK Warranty | 2 Years Parts and Labour Warranty |
| Export Warranty | Contact your local dealer |
| GTIN | 5056105103592 |

Power and Performance

| | |
|-----------------------------|------------|
| Total Power kW | 2.50 |
| Temperature Range °C | 20-99 |
| IP Rating | IP24 |
| Temperature Control | Electronic |

Key Specifications

| | |
|-----------------------------------|--------|
| Number of Shelves included | 2 |
| Number of Shelf Positions | 4 |
| Heated Base | Yes |
| Heated Gantry | No |
| Static or Mobile | Mobile |

Capacity

| | |
|-----------------------|-----|
| Plate Capacity | 476 |
|-----------------------|-----|

Weights and Dimensions

| | |
|----------------------------------|-------|
| Unit Height (External) mm | 900 |
| Unit Width (External) mm | 1855 |
| Unit Depth (External) mm | 850 |
| Height (Internal) mm | 432 |
| Width (Internal) mm | 1,670 |
| Depth (Internal) mm | 512 |
| Shelf Dimensions Width mm | 1,610 |
| Shelf Dimensions Depth mm | 512 |
| Net Weight Kg | 171 |

Supply Connections

| | |
|---------------------------------------|-------|
| Requires Installation | No |
| Requires Electrical Supply | Yes |
| UK 3 Pin Plug | Yes |
| Requires Hardwiring | No |
| Electrical Supply Rating Watts | 2,500 |
| Single Phase Amps | 10.9 |
| Single Phase Voltage | 230 |

Shipping

| | |
|-------------------------|-----|
| Packed Weight Kg | 201 |
| Packed Height cm | 110 |
| Packed Width cm | 188 |
| Packed Depth cm | 90 |

Available Options

Overshelf or Gantry

| | |
|--------------|-------------------------------|
| PG5A | PG5A - Ambient Gantry |
| PG5H | PG5H - Heated Gantry |
| PS5A1 | PS5A1 - 1 Ambient Overshelf |
| PS5A2 | PS5A2 - 2 Ambient Overshelves |
| PS5A3 | PS5A3 - 3 Ambient Overshelves |
| PS5H1 | PS5H1 - 1 Heated Overshelf |
| PS5H2 | PS5H2 - 2 Heated Overshelves |
| PS5H3 | PS5H3 - 3 Heated Overshelves |

Door Locks

| | |
|-------------|----------------------|
| PDL5 | PDL5 - Lockable Door |
|-------------|----------------------|

Corner Guards

| | |
|------------|-----------------------------------|
| PCG | PCG - Corner Guards [Set of Four] |
|------------|-----------------------------------|

Trayslides

| | |
|-------------|-------------------|
| PTS5 | PTS5 - Tray Slide |
|-------------|-------------------|

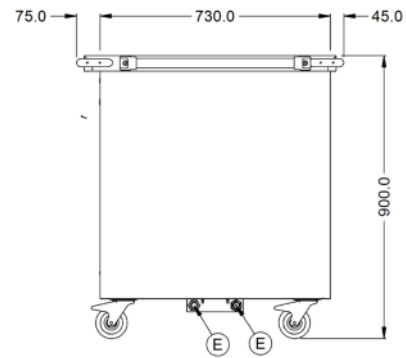
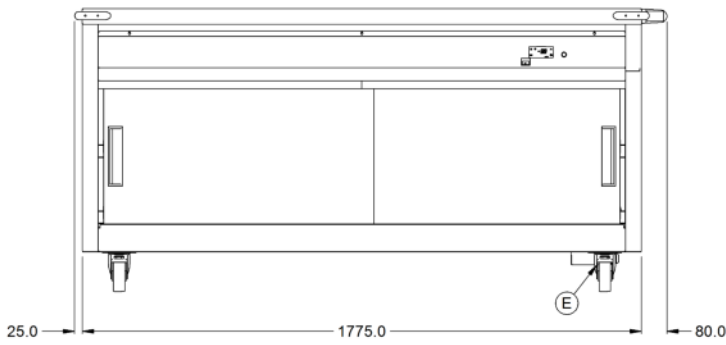
Legs/Castors

| | |
|------------|-----------------------------|
| PLK | PLK - Legs [non chargeable] |
|------------|-----------------------------|

Available Accessories

| | |
|--------------|-----------------------------------------------|
| PLK/S | PLK/S - LEG KIT [FOR CONVERSION IN THE FIELD] |
| PPB8 | PPB8 - ADDITIONAL PUSHBAR |

Technical Picture



Lincat Limited

Whisby Road,
Lincoln, LN6 3QZ,
United Kingdom

Company No: 2175448

A member company of



Customer Care

Tel: +44 1522 875500
Email: care@lincat.co.uk

Export Customers

Tel: +44 1522 875536
Email: export@lincat.co.uk

Opening Hours

Monday – Friday:
8.30am – 5pm