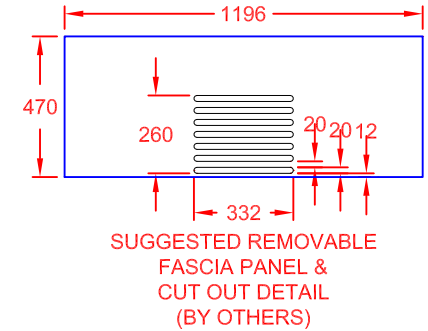
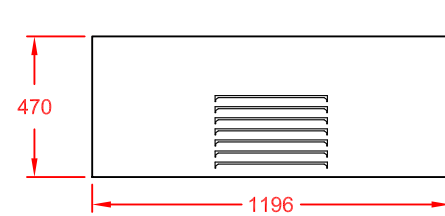
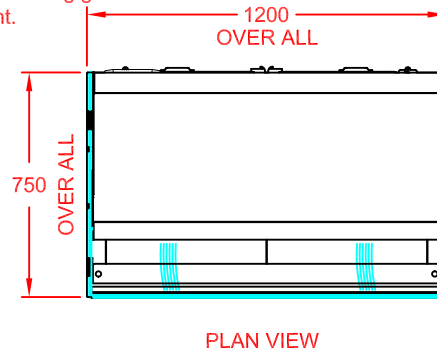
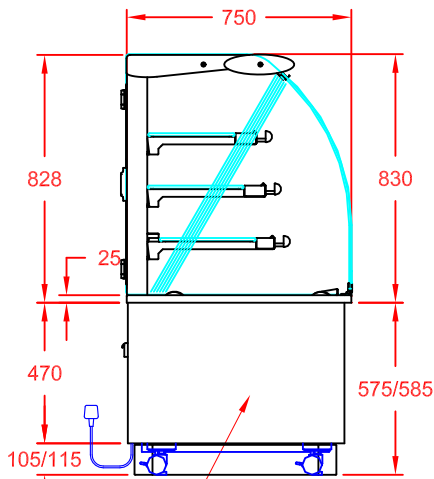


Ventilation / Display Performance Considerations

- 1) Area in which display is to be sited must have a minimum room volume no less than 109 cu m.
- 2) Install over a sealed floor or ventilated floor void.
- 3) Do not site the display within 2m of ceiling mounted air conditioning grilles.
- 4) Do not site the display beneath a high level of direct sunlight.
- 5) Display will operate in a 24 hour environment.



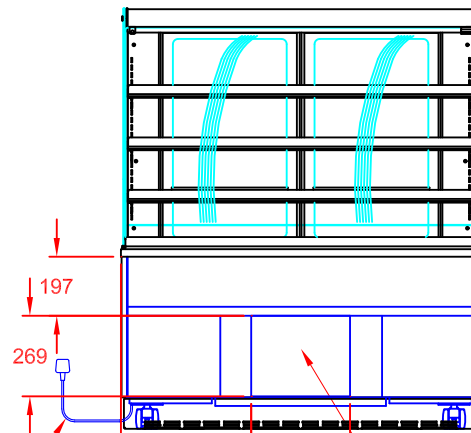
GANTRY MOUNTED DIGITAL CONTROL PANEL



SIDE PANELS IN BLACK EPOXY COATED STEEL AS STANDARD OR OPTION KCSB12 - SATIN STAINLESS STEEL PANELS

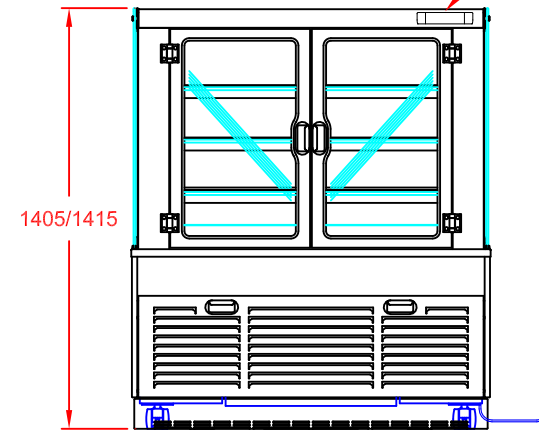
END VIEW

13A PLUG TOP & 2m LEAD
 POWER SUPPLY:
 13A, 230V, 1.73kW



FRONT VIEW (CUSTOMER SIDE)

CUT-OUT LOCATION FOR AIR GRILLE IN FRONT FASCIA



REAR VIEW (OPERATOR SIDE)

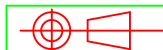
APPROX. UN-CRATED WEIGHT OF UNIT: 240Kg



CED FABRICATIONS LTD
 UNITS A1-A4, FALCON COURT
 CLAYTON BUSINESS PARK
 CLAYTON-LE-MOORS
 HYNDBURN
 LANCASHIRE BB5 5JD

This drawing and information herein is confidential to CED Fabrications Ltd. It is issued in confidence that it will not be disclosed to any third party in part or in whole without permission from CED FABRICATIONS Ltd.

© CED FABRICATIONS LTD



DESCRIPTION:

DESIGNLINE PATISSERIE
 1200mm ASST SERV COLD - REAR DOORS
 HYDROCARBON TYPE-R290 REFRIGERANT

SCALE: 1 : 25@A4

REV No: A

PRODUCT CODE:

PC12ASHT