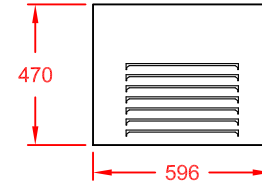
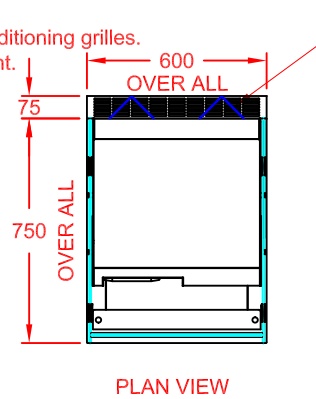
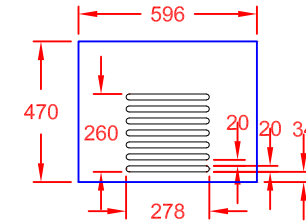


Ventilation / Display Performance Considerations

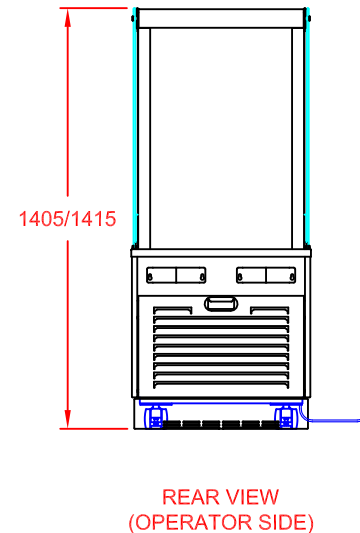
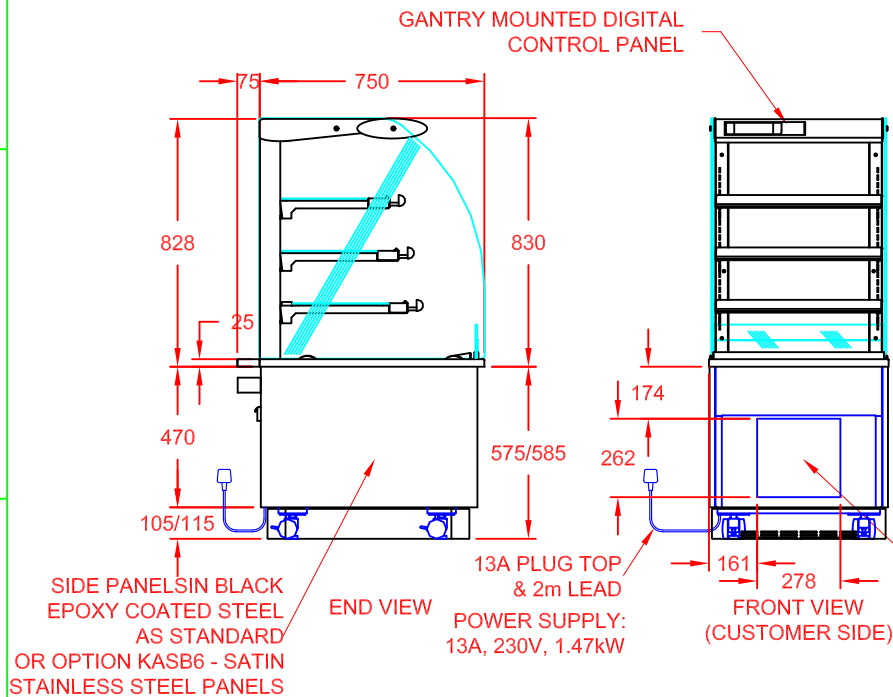
- 1) Area in which display is to be sited must have a minimum room volume no less than 95 cu m.
- 2) Install over a sealed floor or ventilated floor void.
- 3) Do not site the display within 2m of ceiling mounted air conditioning grilles.
- 4) Do not site the display beneath a high level of direct sunlight.
- 5) Display will operate in a 24 hour environment.



OPTIONAL FRONT FASCIA PANELS
KCBF6 - BLACK EPOXY COATED STEEL
KCSF6 - SATIN STAINLESS STEEL
FOR FREE STANDING MODELS



SUGGESTED REMOVABLE FASCIA PANEL & CUT OUT DETAIL (BY OTHERS)



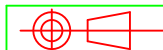
APPROX. UN-CRATED WEIGHT OF UNIT: 145Kg



CED FABRICATIONS LTD
UNITS A1-A4, FALCON COURT
CLAYTON BUSINESS PARK
CLAYTON-LE-MOORS
HYNDBURN
LANCASHIRE BB5 5JD

This drawing and information herein is confidential to CED Fabrications Ltd. It is issued in confidence that it will not be disclosed to any third party in part or in whole without permission from CED FABRICATIONS Ltd.

© CED FABRICATIONS LTD



DESCRIPTION:

DESIGNLINE PATISSERIE
600mm SELF HELP COLD - FIXED BACK
HYDROCARBON TYPE-R290 REFRIGERANT

SCALE: 1 : 2.5 @ A4

REV No: -

PRODUCT CODE:

PC6FBHT