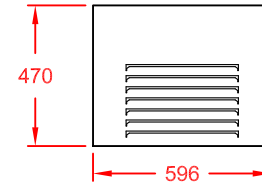
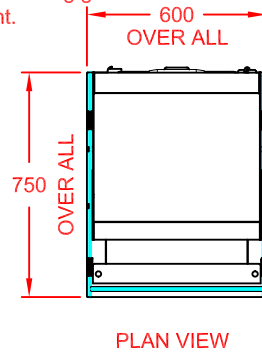
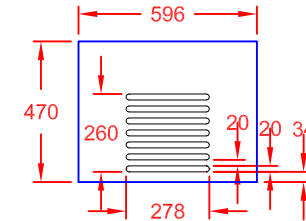


Ventilation / Display Performance Considerations

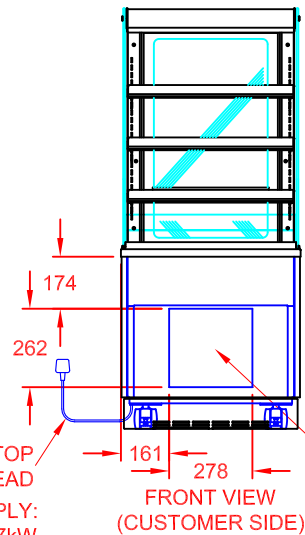
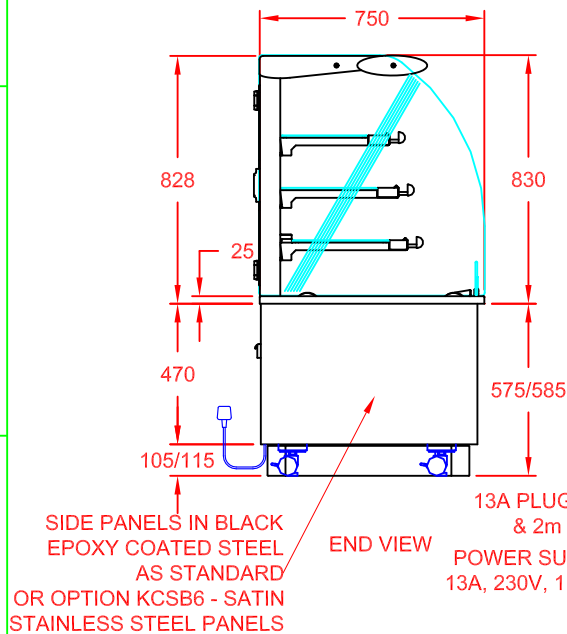
- 1) Area in which display is to be sited must have a minimum room volume no less than 95 cu m.
- 2) Install over a sealed floor or ventilated floor void.
- 3) Do not site the display within 2m of ceiling mounted air conditioning grilles.
- 4) Do not site the display beneath a high level of direct sunlight.
- 5) Display will operate in a 24 hour environment.



OPTIONAL FRONT FASCIA PANELS
 KCBF6 - BLACK EPOXY COATED STEEL
 KCSF6 - SATIN STAINLESS STEEL
 FOR FREE STANDING MODELS

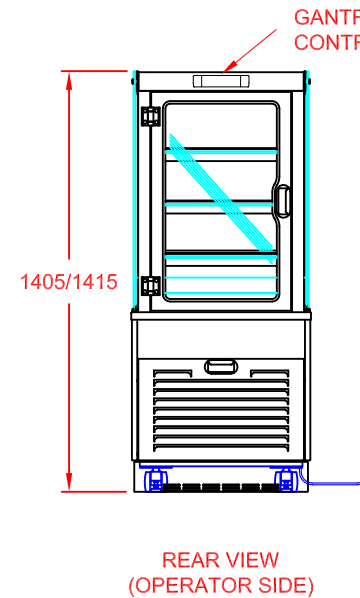


SUGGESTED REMOVABLE
 FASCIA PANEL &
 CUT OUT DETAIL
 (BY OTHERS)



13A PLUG TOP & 2m LEAD
 POWER SUPPLY:
 13A, 230V, 1.47kW

CUT-OUT LOCATION FOR AIR GRILLE IN FRONT FASCIA



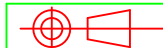
APPROX. UN-CRATED
 WEIGHT OF UNIT: 145Kg



CED FABRICATIONS LTD
 UNITS A1-A4, FALCON COURT
 CLAYTON BUSINESS PARK
 CLAYTON-LE-MOORS
 HYNDBURN
 LANCASHIRE BB5 5JD

This drawing and information herein is confidential to CED Fabrications Ltd. It is issued in confidence that it will not be disclosed to any third party in part or in whole without permission from CED FABRICATIONS Ltd.

© CED FABRICATIONS LTD



DESCRIPTION:

DESIGNLINE PATISSERIE
 600mm SELF HELP COLD - REAR DOOR
 HYDROCARBON TYPE-R290 REFRIGERANT

SCALE: 1 : 2.5 @ A4

REV No: -

PRODUCT CODE:

PC6HT