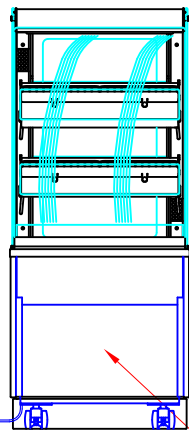
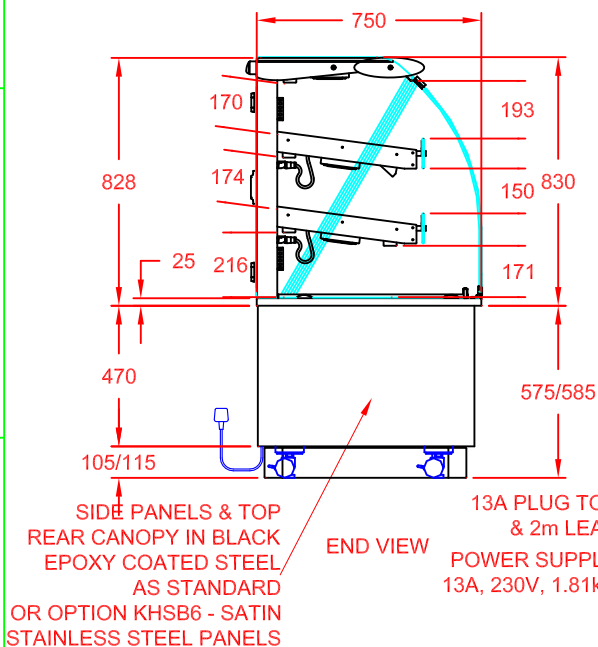
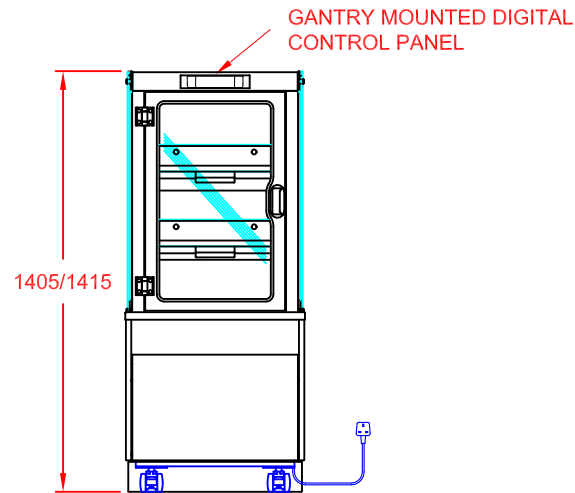


PLAN VIEW



FRONT VIEW (CUSTOMER SIDE)



REAR VIEW (OPERATOR SIDE)

OPTIONAL FRONT FASCIA PANELS
 KABF6 - BLACK EPOXY COATED STEEL
 KASF6 - SATIN STAINLESS STEEL
 FOR FREE STANDING MODELS

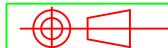
APPROX. UN-CRATED
 WEIGHT OF UNIT: 120Kg



CED FABRICATIONS LTD
 UNITS A1-A4, FALCON COURT
 CLAYTON BUSINESS PARK
 CLAYTON-LE-MOORS
 HYNDBURN
 LANCASHIRE BB5 5JD

This drawing and information herein is confidential to CED Fabrications Ltd. It is issued in confidence that it will not be disclosed to any third party in part or in whole without permission from CED FABRICATIONS Ltd.

© CED FABRICATIONS LTD



DESCRIPTION:

DESIGNLINE PATISSERIE
 600mm ASST SERV HEATED-REAR DOOR

SCALE: 1 : 2.5 @ A4

REV No: A

PRODUCT CODE:

PH6AS