



JOSPER ROBATAGRILL RGJ

TECHNICAL INFORMATION

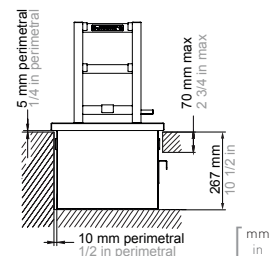
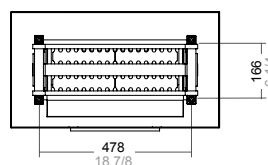
| | | |
|----------------------------|-------------------|------------------------|
| Braising area | 478 x 166 mm (x3) | 18 7/8 x 6 1/2 in (x3) |
| Fire up time | 20 min average | |
| Broiling temperature | 250 °C | 482 °F |
| Charcoal daily consumption | 8 to 10 kg | 17.6 to 22 lb |
| Nominal heat output | 1 kW | 1.34 hp |
| Net weight | 65 kg | 143.3 lb |

INSTALLATION

| | | |
|--|-----------|-----------|
| Recommended installation height | 630 mm | 24 7/8 in |
| Clearance with non-flammable equipment | 100 mm | 4 in |
| Clearance with flammable equipment | 300 mm | 12 in |
| Exhaust rate | 2500 m³/h | 1471 cfm |

COMBUSTION SHIELD MEASURES

RECESSED INSTALLATION



RGJ-050

The Josper Robotagrill is the new charcoal grill for cooking in the robatayaki style, an ancient technique of Japanese culture consisting of grilling in front of the diners. The small portions of food are grilled on skewers over hot charcoal. Ideal for cooking all types of meat and fish in a unique way, where the ingredients never lose the original flavor. This method of Asian cuisine is very adaptable for many styles and other gastronomic cultures. The Josper Robotagrill offers several levels of grilling and includes different types of accessories for working over charcoal kebabs, grills, Teppanyaki... With the Robotagrill you will enjoy live cooking and will see how the chefs prepare their dishes around the grill... A real culinary show.

ACCESSORIES INCLUDED

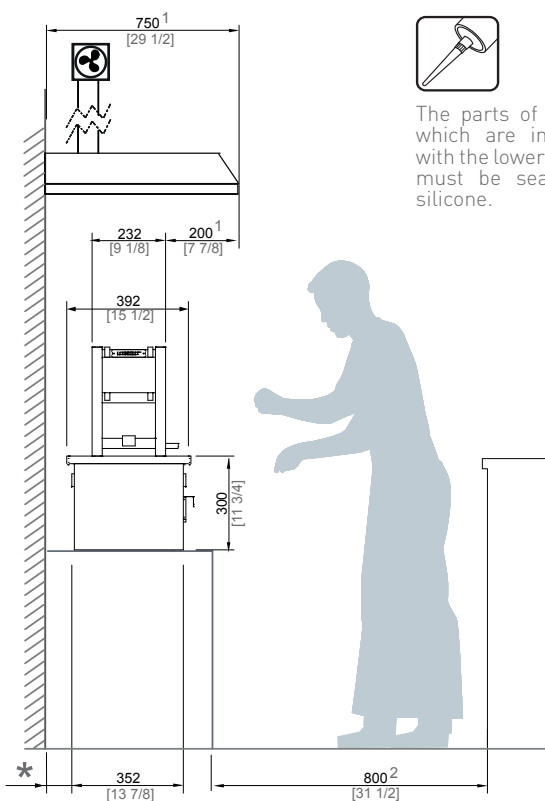
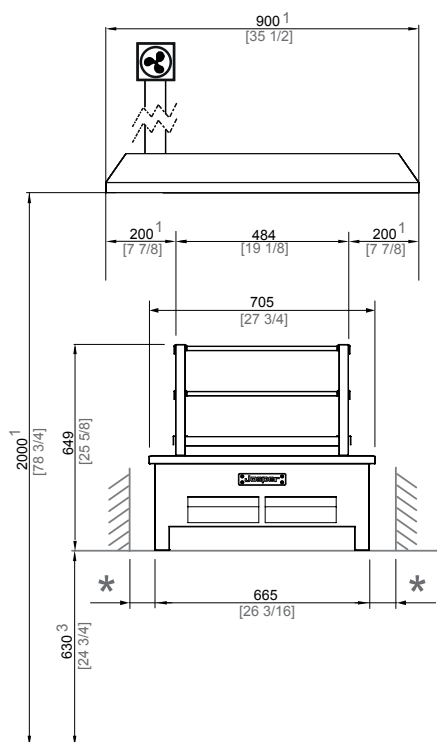
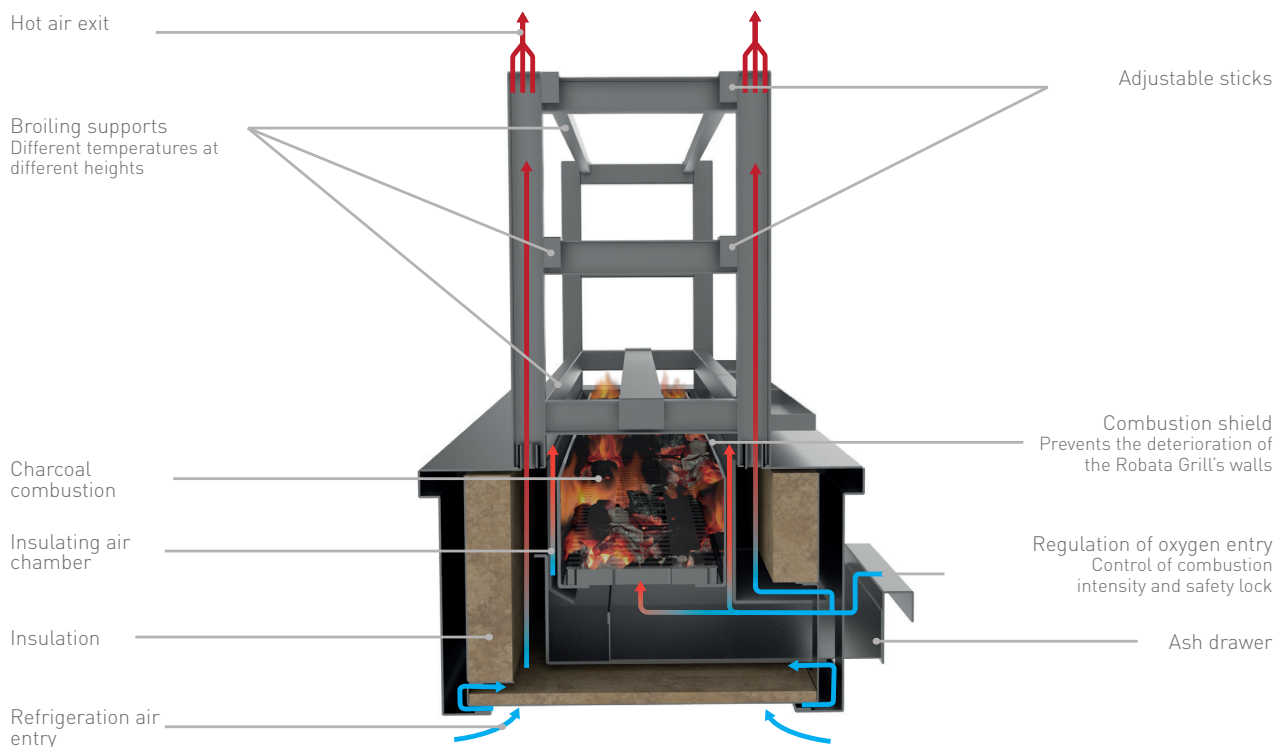
Skewer supports · Tongs · Temperature regulation grate · Grease tray



Ed.01.2021 - Josper reserves the right to make modifications to catalogues, pricelists and promotional material according to the development and improvements applied to its equipment.



JOSPER ROBATAGRILL RGJ



The parts of the oven which are in contact with the lower furniture must be sealed with silicone.

* MINIMUM DISTANCE TO FLAMMABLE ELEMENTS: 300 mm [12 in] / RECOMMENDED DISTANCE TO ANOTHER ELEMENTS: 100 mm [4 in]

1 RECOMMENDED HOOD'S MINIMUM DIMENSIONS

2 RECOMMENDED CHEF'S WORKING SPACE

3 RECOMMENDED INSTALLATION HEIGHT

[mm
in]

