



Fast Food Teknik a/s

Operating instructions and service manual

TL 5417 ROTO Toaster



Version 2.0 – Jan 2017

1. Table of content

1.	Table of content	2
2.	Introduction.....	3
3.	In general.....	3
3.1.	Manufacturer.....	3
3.2.	Full name of the machine.....	3
3.3.	Machine tag	4
4.	Overview and application	4
4.1.	Purpose and intended use	4
4.2.	Foreseen misuse.....	4
4.3.	Technical specifications and consumption	4
4.4.	Placement	5
4.5.	Safety precautions to be taken by the user	5
4.5.1.	Personal safety equipment.....	5
5.	Operation.....	5
6.	Maintenance and repair	5
6.1.	Cleaning and order.....	5
6.2.	Repair	6
7.	End of use.....	6
7.1.	Destruction	6
8.	Appendix	6
8.1.	Signs, symbols and pictograms.....	6
8.1.1.	Spare parts	7
9.	EU Declaration of conformity.....	9
10.	El-diagram	10

2. Introduction

Original instruction manual

This manual is a translation of the original manual for the ROTO Toaster TL 5417. In the following mentioned as *the toaster*.

Purpose

The purpose of this manual is to ensure proper installation, use, handling and maintenance of the toaster.

Accessibility

The manual shall be kept in a – to the staff – well known place which is easy to access for electricians and other personnel who maintain.

Knowledge

The employer is obligated to ensure that people who operate, serve and/or maintain the roller grill, has read this instruction manual or as a minimum are familiar with parts which are relevant to their job.

Furthermore everybody who operates, serve and/maintain the roller grill is obligated to seek information in this operation instructions manual.

3. In general

3.1. Manufacturer

Roto toaster TL 5417 is manufactured by

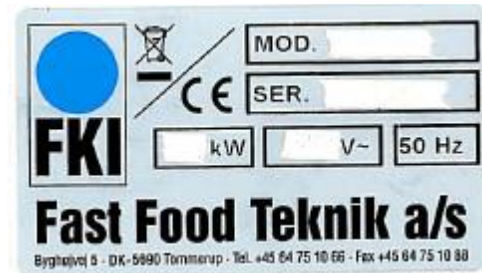
Company name: FKI Fast Food Teknik A/S
Address: Byghøjvej 5, Verringe
DK-5690 Tommerup

3.2. Full name of the machine

The full name of the toaster is **ROTO Toaster TL 5417**

3.3. Machine tag

The machine tag is placed on the back.



4. Overview and application

4.1. Purpose and intended use

Roto toaster TL 5417 for heating and caramelizing of burger buns.

Max. size of burger buns diameter = **240mm**

Distance between heat elements and burger bun leader = minimum **10 mm**,
maximum **34 mm**

4.2. Foreseen misuse

The toaster shall not be used for burgers, sausages, pizzas, baguettes or other products containing fat, oil or similar.

4.3. Technical specifications and consumption

Overall dimensions

Height x width x depth: 530 x 380 x 270 mm

Weight: 18 kg

Electricity

Connection power: 230 V AC

Frequency: 50 Hz

Current absorbed: 9,1 A

Power absorbed: Max. 2,1 kW

Noise

Airborne noise coming from the toaster:

Measured sound pressure level : < 45 dB(A)

4.4. Placement

The toaster is designed for placement on a table top of a suitable height and is fed from the top. The toasted buns are picked up from the drawer at the bottom front.

4.5. Safety precautions to be taken by the user

4.5.1. Personal safety equipment

It is recommended to use gloves since the toaster is hot especially on the top surfaces.

5. Operation

The red switch on the front turns on the toaster. A red lamp is indicating that the toaster is on.

The toaster is with fixed band speed and the distance between band and heat surface can be adjusted by the two turning knobs.

Temperature on the heating surface is thermostatic controlled and can be adjusted from 50-300°C by turning the knob.

The burger bun are placed with one-half on each side of the bread slicer at the top, with the cut face towards the heat surface. The bun halves are automatically taken through the toaster and down in the bun tray. Depending on the size of the bun halves the distance between band and heat surface shall be adjusted in a way so the buns are kept to the heat surface without being pressed.

The temperature is adjusted to reach desired toast level.

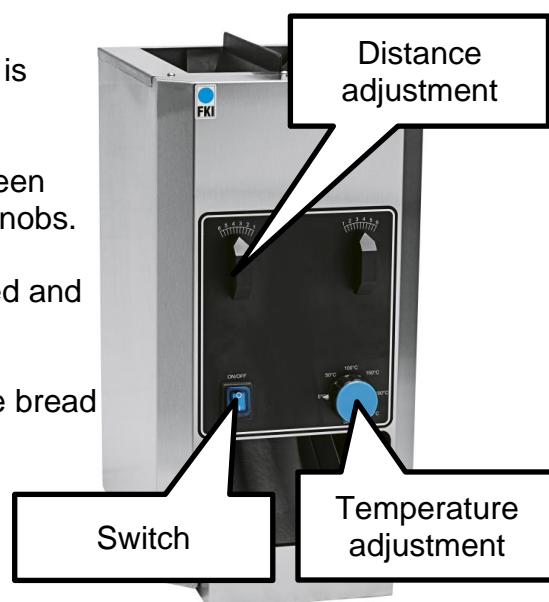
6. Maintenance and repair

6.1. Cleaning and order

It is important to keep the band clean of bread crumbs and residues. Use a shafted brush for the cleaning.

Daily cleaning shall be carried out when the toaster has cooled down. The bread tray is emptied and washed with a damp cloth. The surfaces of the toaster are cleaned by wiping with a damp cloth.

The heat surface is covered by a Teflon sheet, which can be taken out by lifting the bread slicer, and remove the sheet. The sheet can be washed or brushed.

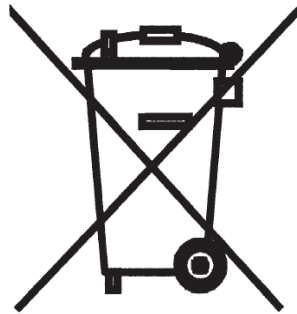


6.2. Repair

Authorized personnel with knowledge of electrical equipment shall always carry out repair.

7. End of use

7.1. Destruction



The toaster is marked with the above recycling symbol (EC Directive 2002/96/EC) and must be disposed in accordance with your country order. This means that when the product becomes obsolete, you should dispose it after the local municipality's rules, e.g. in unsorted waste stream.

8. Appendix

8.1. Signs, symbols and pictograms

The toaster is marked with the following symbol and pictograms:

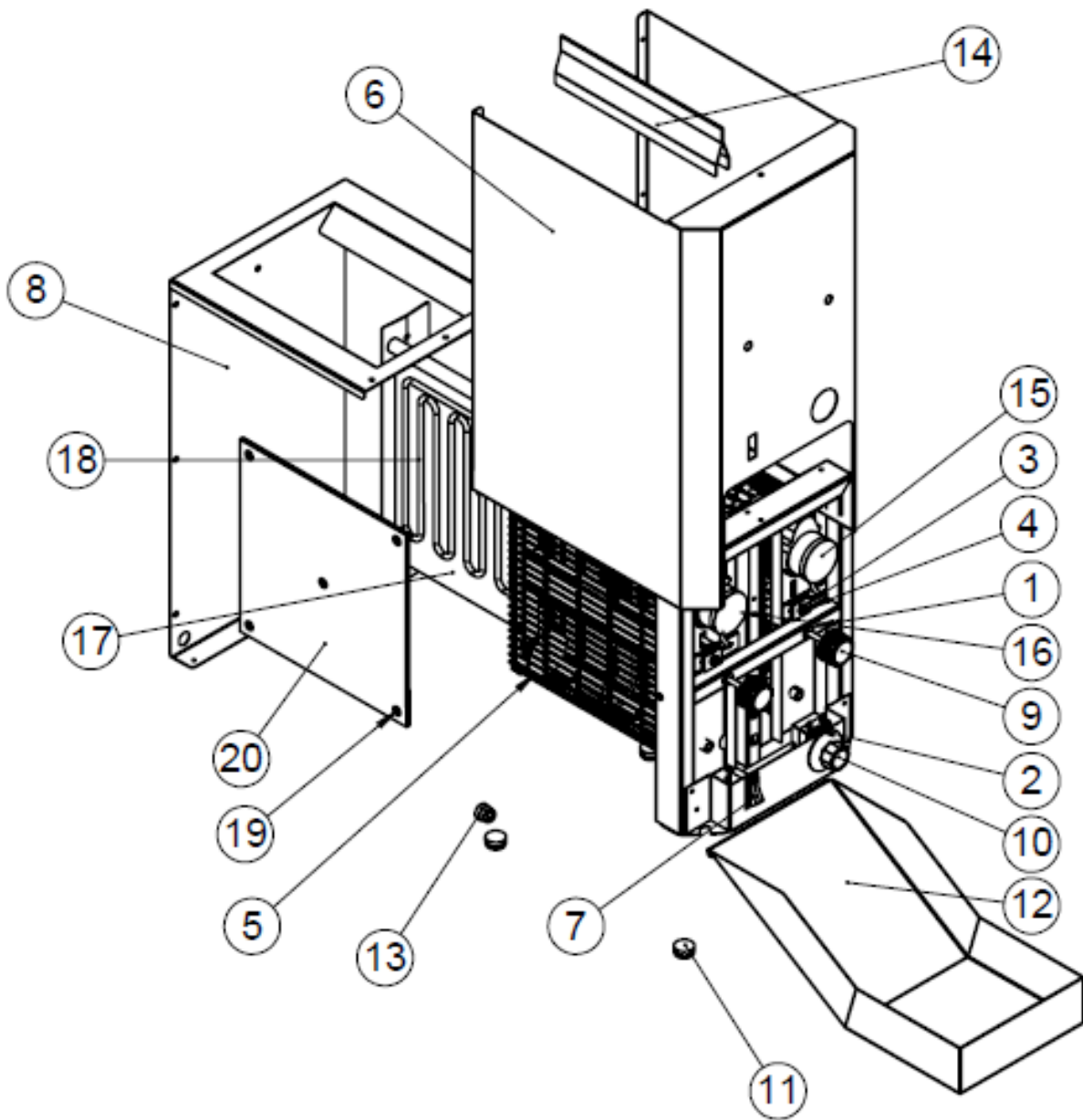


Recycling Symbol according to EU Directive



Hot surface – use protection gloves

8.1.1. Spare parts



Pos.	Part number	Pcs.	Description
1	83-07890	2	Bearing, bronze Ø6/10x10
2	83-07906	1	Thermostat 50-320°C 1-pole
3	78-04590	2	Nut M6
4	74-00050	2	Ball screw
5	83-07926	2	Band ROTO L
6	83-08002	1	Outer cabinet
7	74-00056	1	Switch, Blue with light
8	83-08003	1	Cabinet part top/back
9	76-00000	2	Turning knob ROTO L
10	74-00005	1	Knob
11	81-06027	4	Leg, black ø22
12	83-07946	1	Bread tray TL5410
13	72-03570	1	Cable glance
14	03-70511	1	Bread slicer
14a	01-10082	1	Teflon sheet TL5410
15	83-08010	1	Gear motor, right
16	83-08011	1	Gear motor, left
17	83-08391	1	Heating plate lower
18	72-03684	1	Heating element 230V – 2000W
19	78-00655	5	Screw M5 x 16 US
20	83-08392	1	Heating plate upper

9. EU Declaration of conformity

EF-overensstemmelseserklæring

2006/42/EF bilag II A

Fabrikant:

Navn	FKI Fast Food Teknik
Adresse	Byghøjvej 5, Verninge
Postnr. og by	5690 Tommerup

Erklærer hermed at maskine type:

- ROTO toaster TL 5417

Er fremstillet i overensstemmelse med følgende EF direktiver:

- 2006/42/EF Maskindirektivet
-

under anvendelse af følgende harmoniserede standarder:

- EN 60204-1 Elektrisk Materiel på Maskiner
-

og følgende nationale standarder og tekniske specifikationer:

-
-

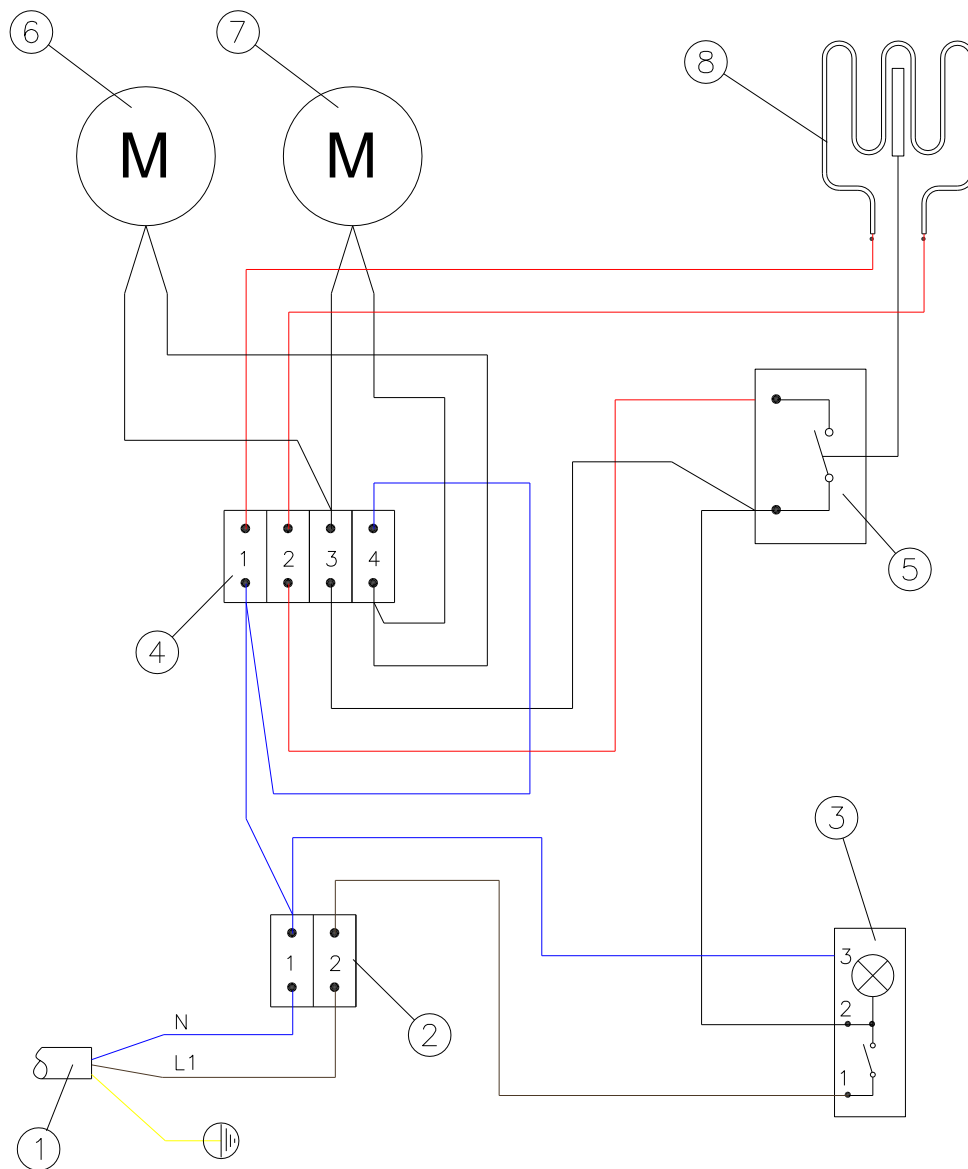
Søren Poulsen
Underskriver

Direktør
Stilling

Verninge
Sted

05.06.2011
Dato

10. EI-diagram



Pos.	Part no.	Pcs.	Description
1	72-03659	1	Power cord 3 x 1,5 mm ²
2	83-08156	1	Connector 2-polet
3	74-00056	1	Switch, Blue with light
4	83-08156	1	Connector 4-polet
5	83-07906	1	Thermostat 50-320°C 1-pole
6	83-08010	1	Gear motor, left
7	83-08011	1	Gear motor, right
8	72-03684	1	Heat element 2,0 kW 230V



FKI Fast Food Teknik a/s

Byghøjvej 5, Verninge – DK-5690 Tommerup – Danmark
Tlf. +45 6475 1066 – info@fki.dk – www.fki.dk