

Slimline Refrigeration & Freezer Counters

Counters

Features

- Left hand side mounted compressor unit
- High Grade Stainless Construction Interior and Exterior
- Heavy duty Embraco compressor
- Self-closing and stay open door
- Easy to clean black plastic door handle
- Magnetic door gaskets
- Pre-installed castors
- Pre-installed shelves
- Climate Class 5 product



| Product Code | Refrigeration |
|--------------|---------------|
|--------------|---------------|

| | |
|-----------|---------------------|
| YPF9022GR | 2 Door Refrigerator |
|-----------|---------------------|

| | |
|-----------|--------------------------|
| YPF9032GR | 2 Wide Door Refrigerator |
|-----------|--------------------------|

| | |
|-----------|---------------------|
| YPF9042GR | 3 Door Refrigerator |
|-----------|---------------------|

| Product Code | Freezers |
|--------------|----------|
|--------------|----------|

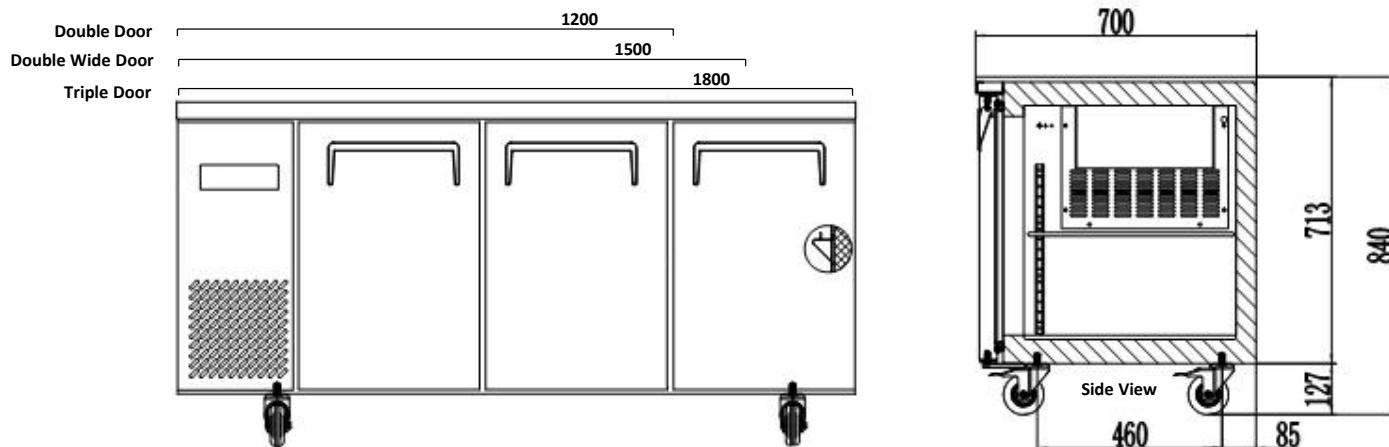
| | |
|-----------|----------------|
| YPF9027GR | 2 Door Freezer |
|-----------|----------------|

| | |
|-----------|---------------------|
| YPF9037GR | 2 Wide Door Freezer |
|-----------|---------------------|

| | |
|-----------|----------------|
| YPF9047GR | 3 Door Freezer |
|-----------|----------------|

Slimline Refrigeration + Freezer Counters

Counters



| Model | YPF9022GR | YPF9027GR | YPF9032GR | YPF9037GR | YPF9042GR | YPF9047GR |
|--------------------------------|-----------------------|-----------------------|-----------------------|-----------------------|------------------------|------------------------|
| Exterior Dimension (WxDxH) mm | 1200 x 700 x 840 | 1200 x 700 x 840 | 1500 x 700 x 840 | 1500 x 700 x 840 | 1800 x 700 x 840 | 1800 x 700 x 840 |
| Interior Dimension (WxDxH) mm | 800 x 580 x 580 | 800 x 580 x 580 | 1100 x 580 x 580 | 1100 x 580 x 580 | 1400 x 580 x 580 | 1400 x 580 x 580 |
| Packing Dimension (WxDxH) mm | 1250 x 750 x 890 | 1250 x 750 x 890 | 1550 x 750 x 890 | 1550 x 750 x 890 | 1850 x 750 x 890 | 1850 x 750 x 890 |
| Shelf Dimensions mm | 390 x 528 | 390 x 528 | 540 x 528 | 540 x 528 | 430 x 528 490 x 528 | 430 x 528 490 x 528 |
| Shelf Quantity | 4 | 4 | 4 | 4 | 6 | 6 |
| Shelf Loading Capacity (Kg Pc) | 14 | 14 | 14 | 14 | 14 | 14 |
| Capacity (Litre) | 270 | 270 | 370 | 370 | 470 | 470 |
| Net Weight (Kgs) | 79 | 79 | 85 | 85 | 91 | 91 |
| Gross Weight (Kgs) | 89 | 89 | 95 | 95 | 101 | 101 |
| Voltage | 220/50/1 | 220/50/1 | 220/50/1 | 220/250/1 | 220/50/1 | 220/250/1 |
| Power (Watts) | 270 | 550 | 270 | 550 | 270 | 550 |
| Electrical Current (Amps) | 1.5 | 2.9 | 1.5 | 2.9 | 1.5 | 2.9 |
| KWh/annum | 788 | 1752 | 857 | 1985 | 920 | 2194 |
| Energy Efficiency Class | B | C | B | C | B | C |
| Climate Class | 5 | 5 | 5 | 5 | 5 | 5 |
| Defrost Method | Air Defrost | Hot Gas Defrost | Air Defrost | Hot Gas Defrost | Air Defrost | Hot Gas Defrost |
| Refrigerant Type / Amount | R600a / 100g | R290hc / 90g | R600a / 100g | R290hc / 90g | R600a / 100g | R290hc / 90g |
| Cooling Method | Ventilated | Ventilated | Ventilated | Ventilated | Ventilated | Ventilated |
| Inner Temperature (°C) | +2°C to +8°C | -17°C to -21°C | +2°C to +8°C | -17°C to -21°C | +2°C to +8°C | -18°C to -21°C |
| Insulation | Polyurethane foam | Polyurethane foam | Polyurethane foam | Polyurethane foam | Polyurethane foam | Polyurethane foam |
| Foaming Material | C5H10 | C5H10 | C5H10 | C5H10 | C5H10 | C5H10 |
| Castors | 4 (2 Braked on front) | 4 (2 Braked on front) | 4 (2 Braked on front) | 4 (2 Braked on front) | 4 (2 Braked on front) | 4 (2 Braked on front) |
| Material External / Internal | S/S Int + Ext | S/S Int + Ext | S/S Int + Ext | S/S Int + Ext | S/S Int + Ext | S/S Int + Ext |
| Lighting | No | No | No | No | No | No |
| Door lock | No | No | No | No | No | No |